

NATURFLOOR-W
HERRINGBONE PATTERN - INSTALLATION

PARKLEX PRODEMA

This document contains instructions on installation. For satisfactory installation, all instructions on transport, storage, handling, cleaning and maintenance described in the NATURFLOOR – W technical catalogue and the User Manual of NATURFLOOR – W must be followed.

In addition, follow the instructions of the gluing down adhesive company in terms of application, temperature, humidity conditions, slab requirements, cleaning methods. etc., and make sure that these are compatible with the NATURFLOOR - W recommendations.

Measures in inches are approximate. Real measurements are in mm.

The latest version of this technical guide will be updated and available for downloading and reading on the PARKLEX PRODEMA website.

www.parklexprodema.com

1. Intro	4
1.1. Board size	4
2. NATURFLOOR – W herringbone pattern installed as a floating floor	5
2.1. Materials	5
2.2. Tools	5
2.3. Before installation	5
2.4. Installation process	5
2.4.1. NATURFLOOR – W boards	5
2.4.2. PARKLEX PRODEMA underlayment mat	5
2.4.3. Perimeter	5
2.4.4. Assembling the first boards	6
2.4.5. Board joining	6
2.4.6. Herringbone pattern placement	6
2.4.7. Next rows	6
2.4.8. Worst Access areas	6
2.4.9. Skirting board	6
3. Herringbone pattern using gluing down installation system	7
3.1. Materials	7
3.2. Tools	7
3.3. Before installation	7
3.4. Installation process	7
3.4.1 NATURFLOOR – W boards	7
3.4.2. Perimeter	7
3.4.3. Assembling the first boards	8
3.4.4. Board joining	8
3.4.5. Herringbone pattern placement	8
3.4.6. Apply the gluing down adhesive	8
3.4.7. Go on with the installation	9
3.4.8. Worst access areas	9
3.4.9. Place weight on top of the floor	9
3.4.10. Remove the wedges	9

1. Intro

1.1. Board size

188 x 1220mm

When installing NATURFLOOR - W Herringbone pattern it is advisable to go for the floating installation system or the gluing down installation system.

2. NATURFLOOR – W herringbone pattern installed as a floating floor

For satisfactory installation, all instructions on transport, storage, handling, cleaning and maintenance described in the NATURFLOOR–W technical catalogue and the User Manual of NATURFLOOR-W must be followed.

For applications over underfloor heating, in humid environments, check specific chapters on part 4. Specific applications (p. 14) of the technical catalogue of NATURFLOOR-W.

2.1. Materials

- NATURFLOOR-W engineered wood flooring.
- 8mm temporary wedges for the perimeter.
- D3/D4 PVA adhesive - 10gr per board.
- Underlayment

2.2. Tools

- Circular saw
- Spirit level
- Hammer
- Crowbar
- Tapper/tapping block
- String line
- Moisture meter

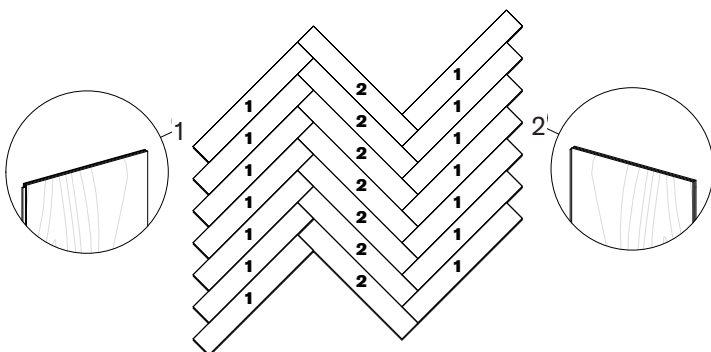
2.3. Before installation

Measure the subfloor humidity level to confirm it meets our minimum requirements (2.2. Subfloor conditions, p. 6).

2.4. Installation process

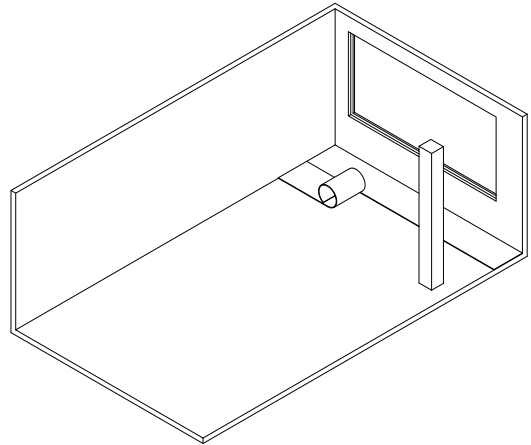
1 - NATURFLOOR – W boards

This installation system is composed of two board types: left-side boards (piece 1 on the drawing) and right-side boards (piece 2 on the drawing). It is advisable to stack all left-side boards in one place and stack all the right side boards in another one in order to make the installation easier.



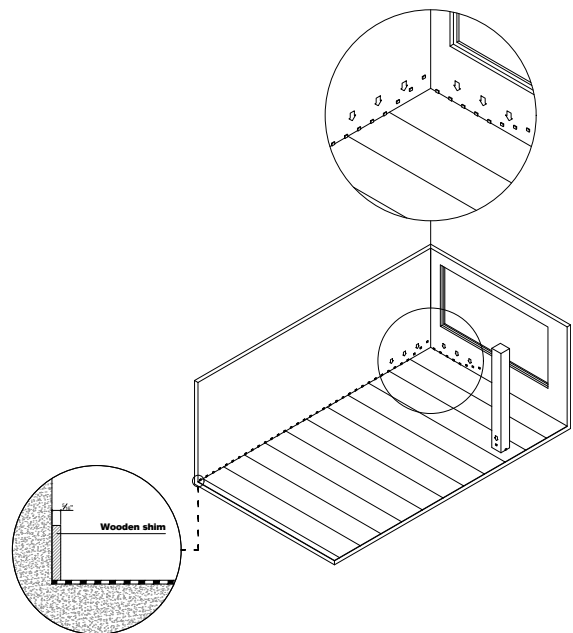
2 - PARKLEX PRODEMA underlayment mat.

Place the underlayment over the subfloor in the opposite direction to board. The underlayment acts as acoustic insulation and moisture protection and absorbs minor irregularities in the subfloor. Only underlayment with an integrated moisture barrier must be used. Also check 2.5 points from the technical catalogue of PARKLEX PRODEMA NATURFLOOR-W.



3 - Perimeter.

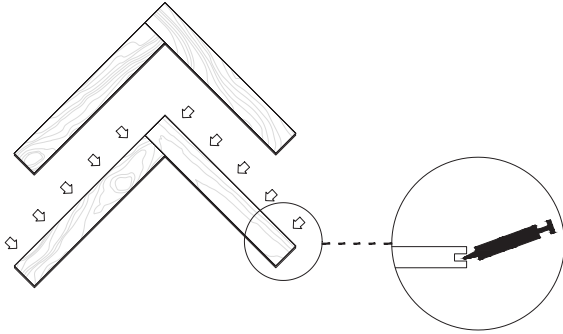
During the installation process, ≥ 8 mm temporary wedges must be placed at the perimeter, next to walls or other fixed points, to allow for future expansion/contraction.



4 - Assembling the first boards.

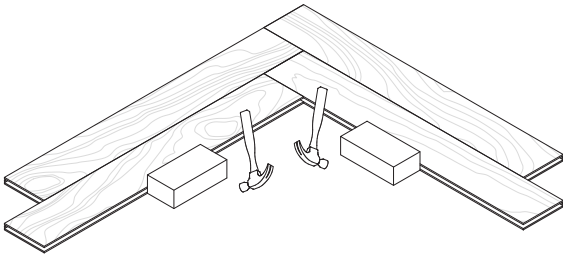
Assemble four pieces applying PVA D3/D4 adhesive just inside the upper edge of the groove to ensure that the tongue is fully coated when the boards are taped together.

This ensures a water-resistant finish, and maximum strength at the joint. Adhesive is of no use at the back of the slot, an area designed to attract excess adhesive inside the joint.



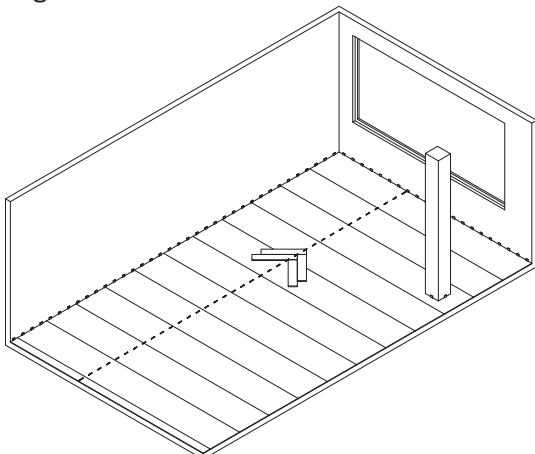
5 - Board joining.

In order to ensure a perfect insertion, tap against the tongue of the boards. Use a taper/tapping block to prevent the tongue from deforming. It is essential that any excess surface adhesive visible at the joints is immediately and completely wiped off with a damp cloth, or it will be visible when dry.



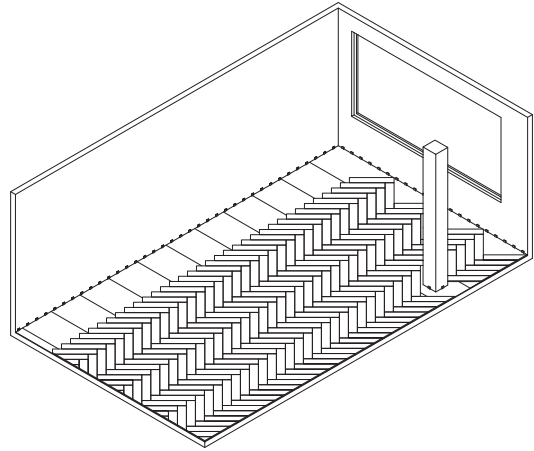
6 - Herringbone pattern placement.

After selecting the herringbone pattern placement place the first row of boards with the groove facing the wall, ensuring that the line is consistent using a string-line.



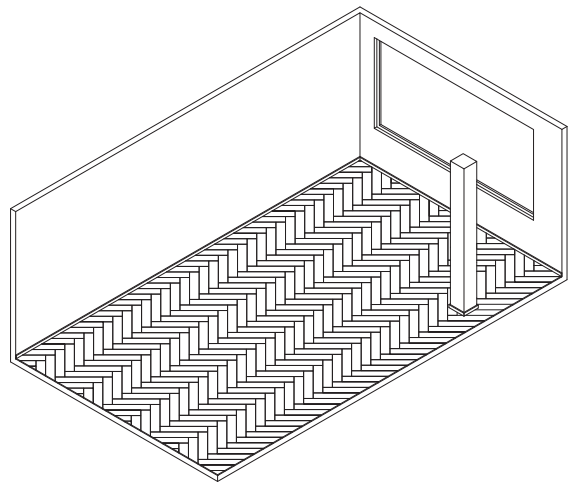
7 - Next rows

Place the next rows in the same way.



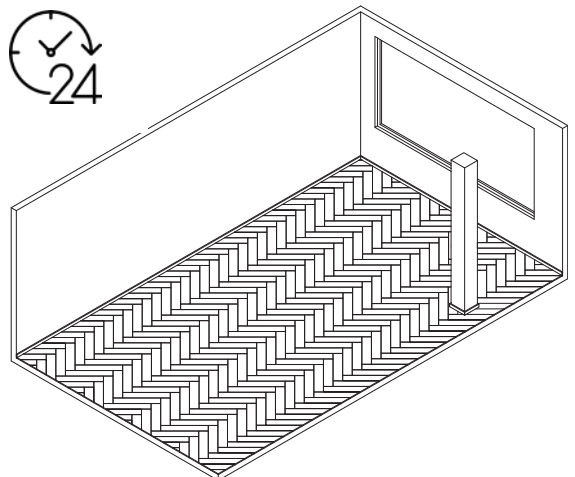
8 - Worst Access areas

Fulfill the areas that have the worst access.



9. Skirting board

After 24 hours, remove the temporary wedges and install a skirting board at the perimeter.



3. Herringbone pattern using gluing down installation system

For satisfactory installation, all instructions on transport, storage, handling, cleaning and maintenance described in the NATURFLOOR-W technical catalogue and the User Manual of NATURFLOOR-W must be followed. Follow also the instructions of the gluing down adhesive company in terms of application, temperature, humidity conditions, slab requirements, cleaning methods. etc and make sure that these are compatible with the NATURFLOOR - W recommendations.

3.1. Materials

- NATURFLOOR - W engineered wood flooring.
- Temporary perimetral wedges
- D3/D4 PVA adhesive - 10gr per board.
- Gluing down adhesive. PARKLEX PRODEMA recommends Silane Modified Polymer (MS) type adhesive for this application. For quantities, follow gluing down adhesive company instructions.

3.2. Tools

- Circular saw
- Spirit level
- Hammer
- Crowbar
- Tapper / tapping block
- String-line
- Moisture meter
- Cutter
- Adhesive trowel with proper notching recommended by adhesive Company

3.3. Before installation

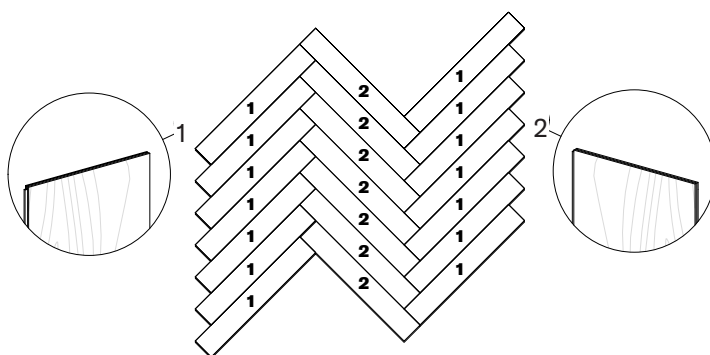
Measure the subfloor humidity level to confirm it meets our minimum requirements (2.2. Subfloor conditions, p. 6). Follow also gluing down adhesive instructions for slabs and make sure their guidelines about temperature and humidity are compatible with NATURFLOOR-W engineered wood flooring.

The slabs must be clean to ensure a correct installation of NATURFLOOR-W.

3.4. Installation process

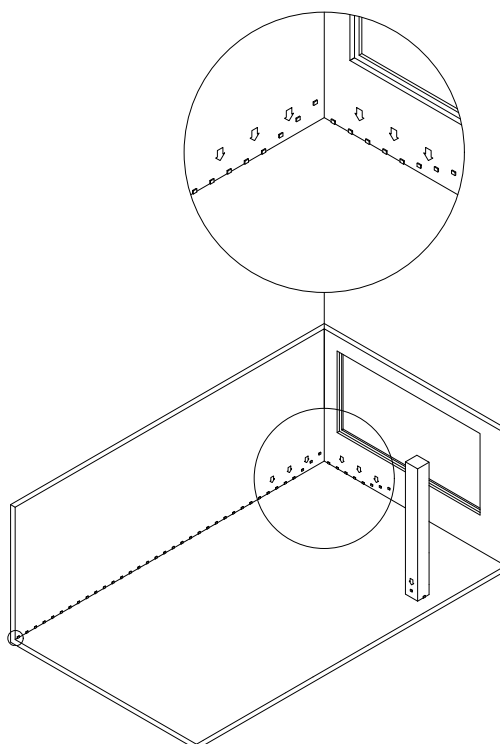
1 - NATURFLOOR - W boards

This installation system is composed of two board types: left-side boards (piece 1 on the drawing) and right-side boards (piece 2 on the drawing). It is advisable to stack all left-side boards in one place and stack all the right side boards in another one in order to make the installation easier.



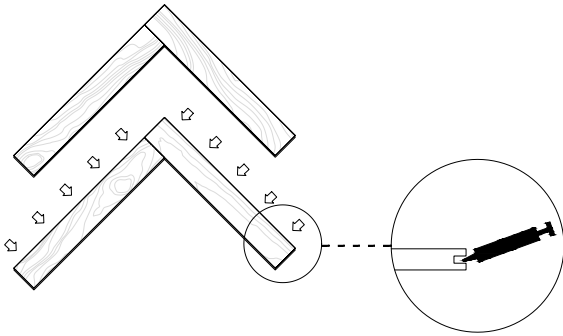
2 - Perimeter

During the installation process, $\geq 8\text{mm}$ temporary wedges must be placed at the perimeter, next to walls or other fixed points, to allow for future expansión/contraction.



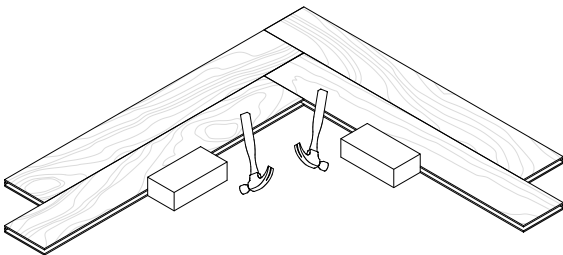
3 - Assembling the first boards

Assemble four pieces applying PVA D3/D4 adhesive just inside the upper edge of the groove to ensure that the tongue is fully coated when the boards are tapped together. This ensures a water-resistant finish, and maximum strength at the joint. Adhesive is of no use at the back of the slot, an area designed to attract excess adhesive inside the joint.



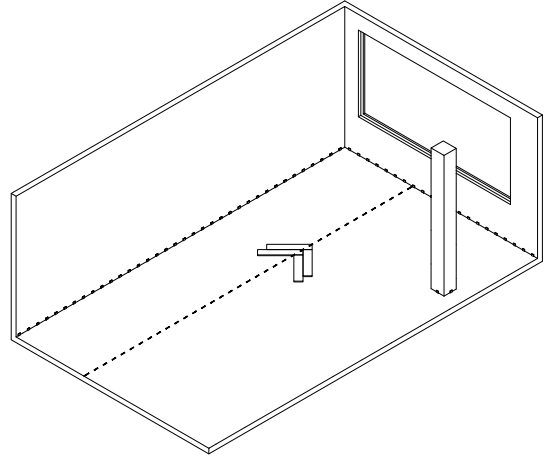
4 - Board joining

In order to ensure a perfect insertion, tap against the tongue of the boards. Use a tapper/tapping block to prevent the tongue from deforming. It is essential that any excess surface adhesive visible at the joints is immediately and completely wiped off with a damp cloth, or it will be visible when dry.



5 - Herringbone pattern placement

After selecting the herringbone pattern placement place the first row of boards with the groove facing the wall, ensuring that the line is consistent using a string-line.

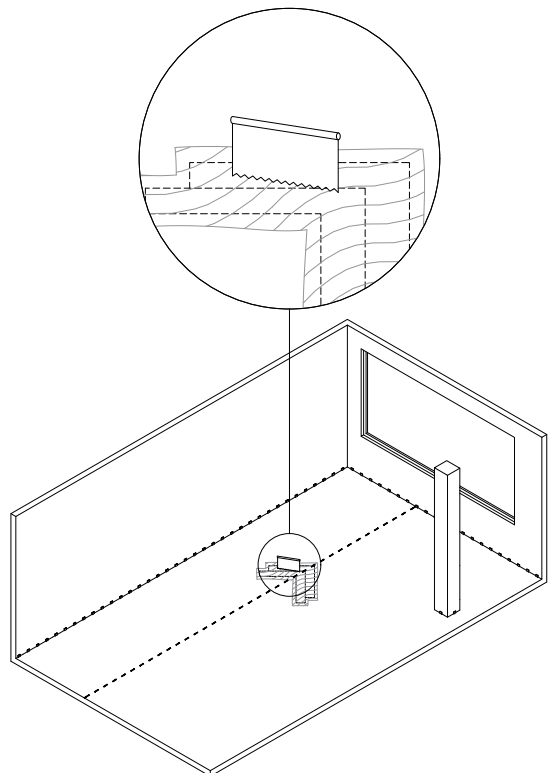


6 - Apply the gluing down adhesive

Once the four pieces are joined, spread the gluing down adhesive on the slab where the first pieces will be installed. The tip of the herringbone pattern must be aligned with the string-line.

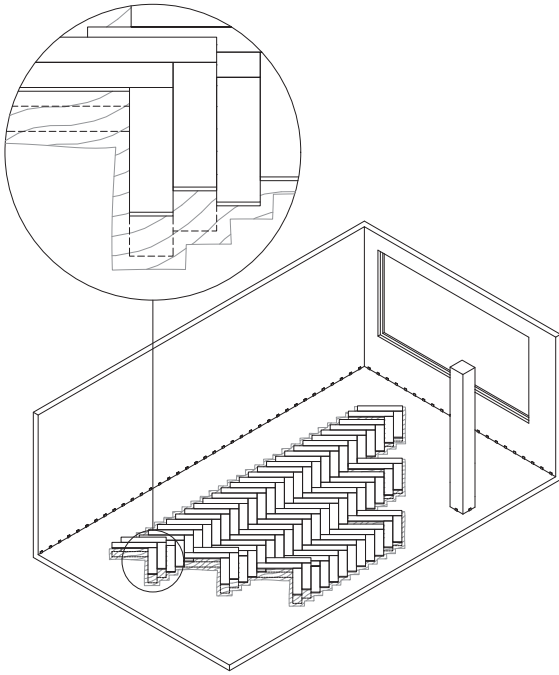
Place the boards and put on some weight on top of it.

Follow the recommendations of the gluing down adhesive company, especially in terms of quantity, adhesion method, temperature and humidity conditions, and other recommendations of the material requirements.



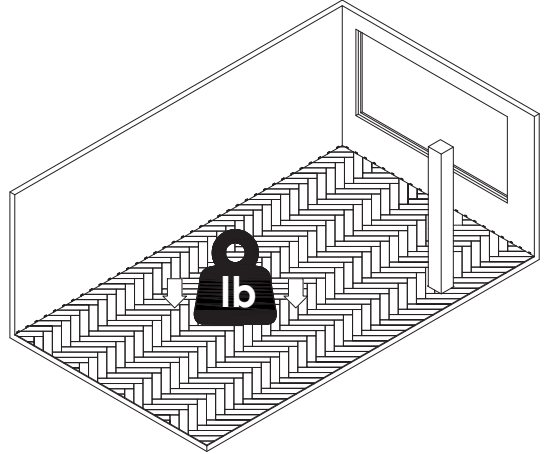
7 - Go on with the installation

Once the first pieces are installed, spread the gluing down adhesive to cover the rest of the areas. Apply also PVA D3/D4 adhesive inside the groove and go on with the installation.



9 - Place weight on top of the floor

Once the NATURFLOOR-W engineered wood floor is installed, place weight above until the gluing down adhesive polymerizes.



10 - Remove the wedges

Remove the temporary wedges and the weight after 24 hours. Finally, fit a skirting board with a suitable thickness to cover the perimeter joints.

8 - Worst access areas

Fulfill the areas that have the worst access.

