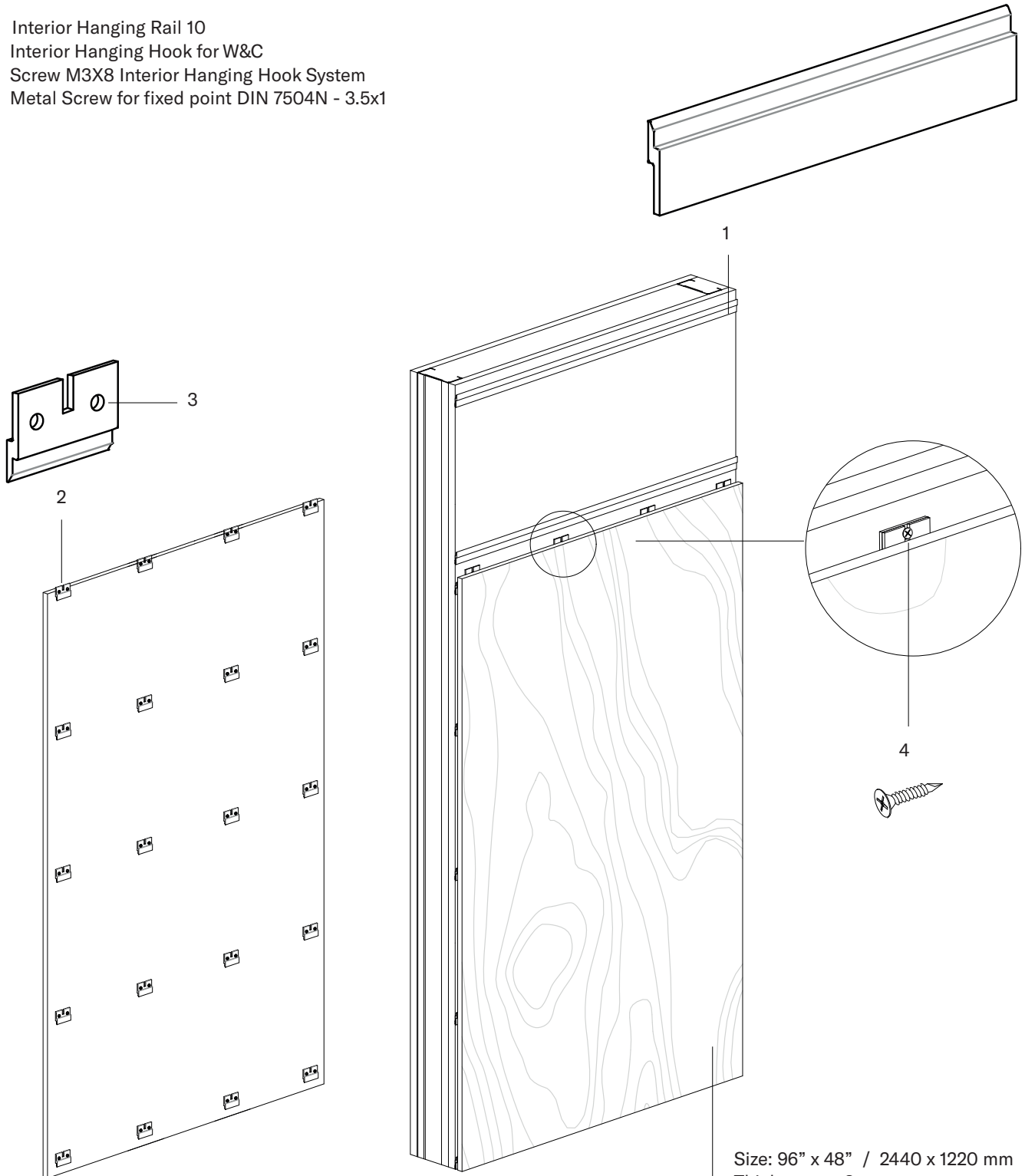


HANGING HOOK INSTALLATION SYSTEM FOR INTERIOR WALLS AND CEILINGS

METALLIC SUBFRAME

1. Interior Hanging Rail 10
2. Interior Hanging Hook for W&C
3. Screw M3X8 Interior Hanging Hook System
4. Metal Screw for fixed point DIN 7504N - 3.5x1



Size: 96" x 48" / 2440 x 1220 mm
Thickness: \geq 8 mm

Suitable for:
NATURHARDPANEL-W
NATURPANEL-W