

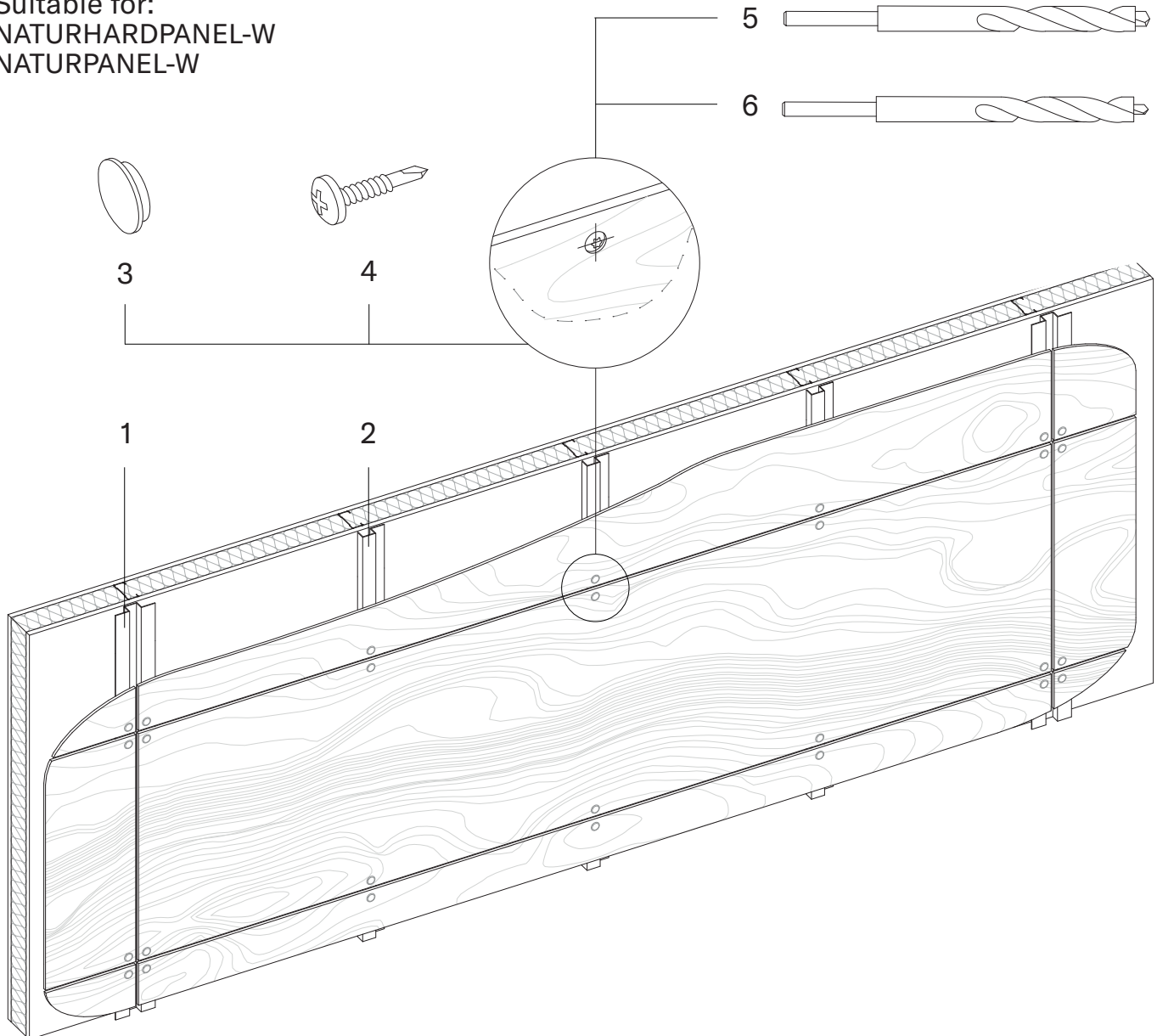
CONCEALED FASTENING WITH CAPS FOR WALLS AND CEILINGS

METALLIC SUBFRAME

Available panel size 48" x 96" | 2440 x 1220 mm

Panel thickness $\geq 10\text{mm}$

Suitable for:
NATURHARDPANEL-W
NATURPANEL-W



1. J Profile: 10' Aluminum
2. Hat Profile: 10' Aluminum
3. Cap 14.25mm diameter
4. DIN7504 Mill Screw - Metal Subframe
5. Fix Point Drilling Bit Cap System 14.5mm
6. Floating Point Drilling Bit Cap System 14.5mm