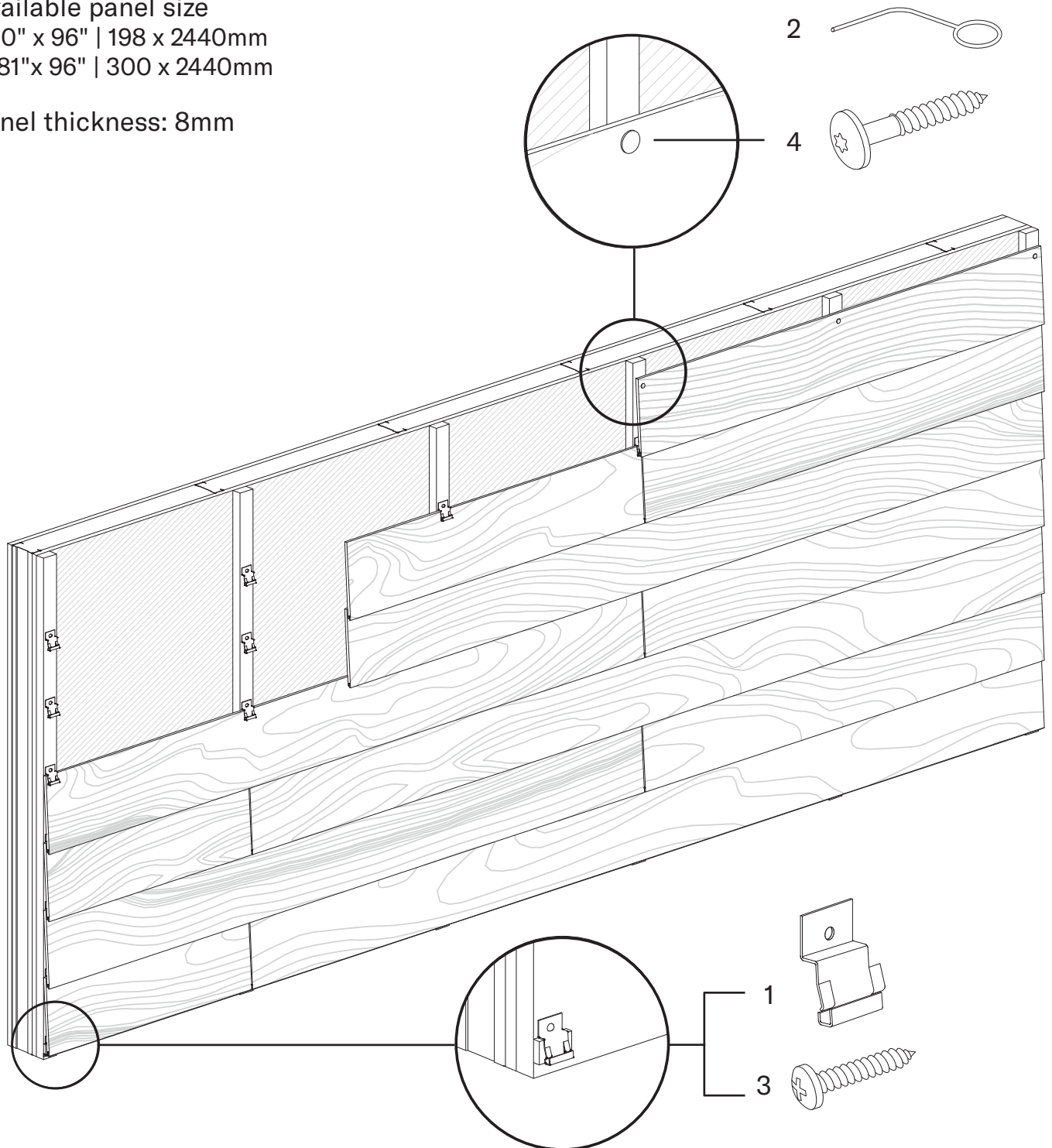


LAP SIDING

WOOD SUBFRAME

Available panel size
7,80" x 96" | 198 x 2440mm
11,81"x 96" | 300 x 2440mm

Panel thickness: 8mm



1. Anchoring Piece
2. Gap Gauge Tool
3. Wood Screw for Fixing Clip DIN 7505
4. TW-S D12-4 Screws for Wood - Painted