

HORIZONTAL SIDING

JAYS AND HATS

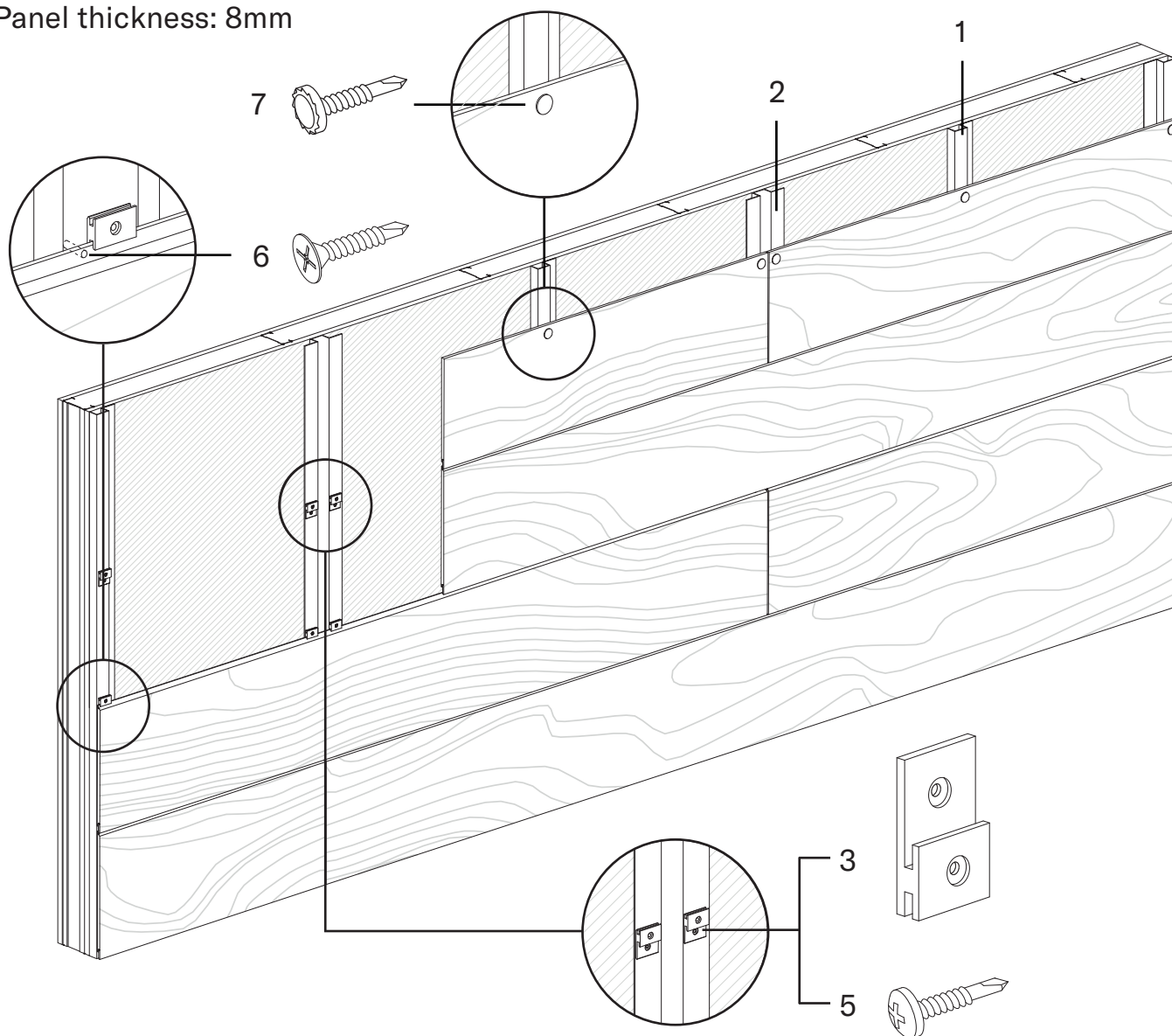
Available panel size

5,35" x 96" | 137x2440mm

7,40" x 96" | 188 x 2440mm

11,42" x 96" | 290 x 2440mm

Panel thickness: 8mm



1. J Profile : 10' Aluminum
2. Hat Profile: 10' Aluminum
3. Fixing Clip
4. Gap Gauge Tool
5. Metal Screw for Fixing Clip DIN 7504
6. Fixed Point Screw (metal) BCPA2-4,2x23mm
7. SX3 15-D12-5 TORX Screws for Metal - Painted
8. Centering Device for SX3 Screws