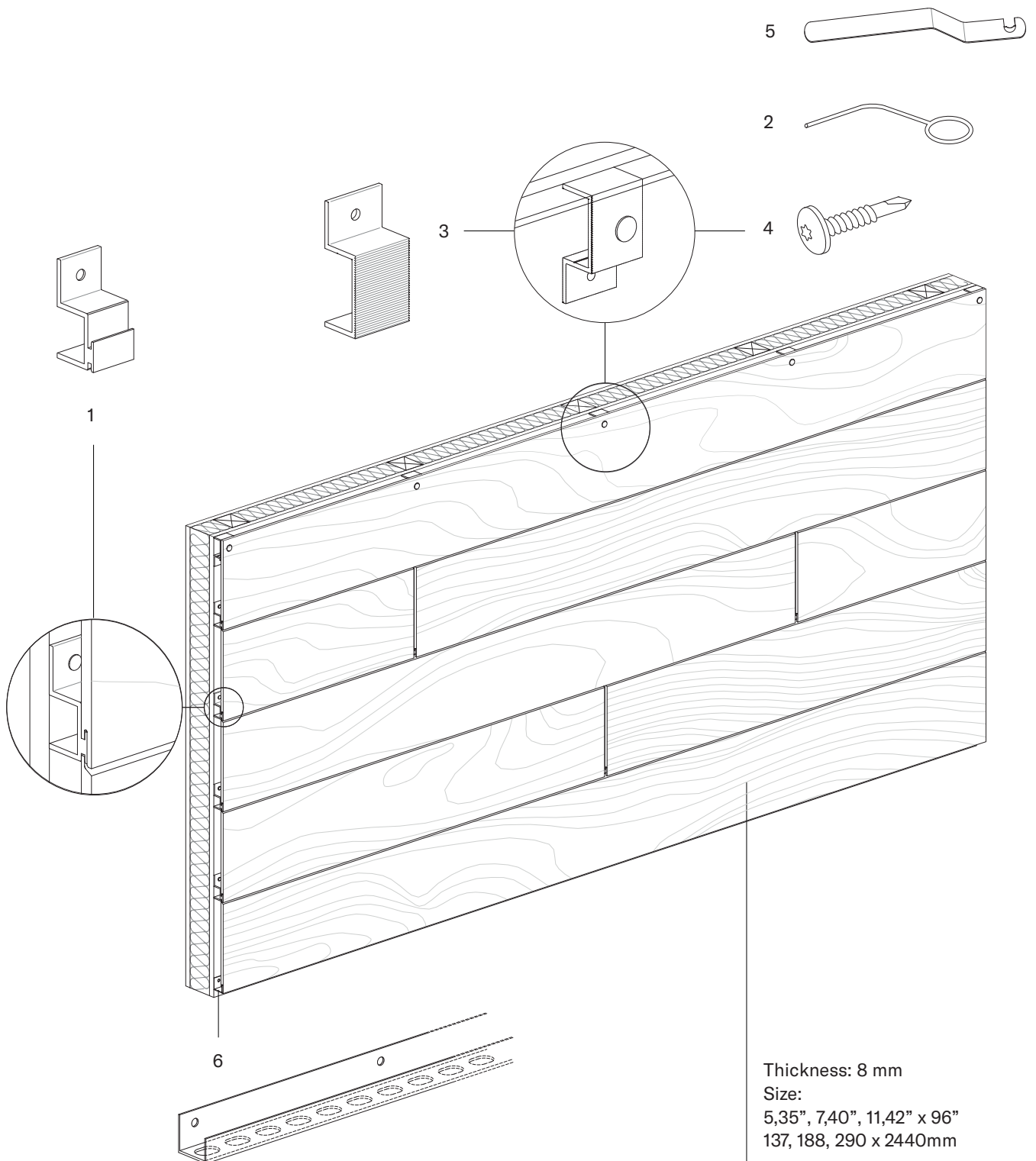


HORIZONTAL ONESIDING INTALLATION SYSTEM

1. Onesiding clip
2. Gap Gauge Tool
3. 1" Jay Shim
4. SX3 15-D12-5 TORX Screws for Metal - Painted
5. Centering Device for SX3 Screws
6. L30x30 starter rail



Thickness: 8 mm
Size:
5,35", 7,40", 11,42" x 96"
137, 188, 290 x 2440mm