

**INSTALLATION OF FLOORING WITH
GLUING DOWN SYSTEM
NATURFLOOR-W**

PARKLEX PRODEMA

How to install PARKLEX PRODEMA flooring by using gluing down system

NATURFLOOR-W is designed for use in the most demanding indoor environments.

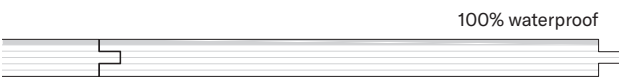
NATURFLOOR-W planks can be installed using a gluing down system. This installation method is suitable for interior floors.

Panel thickness: 14 mm (0.55")

Panel dimensions:
2450 mm x 188, 290 mm
96.46" x 7 1/2", 11 1/2"

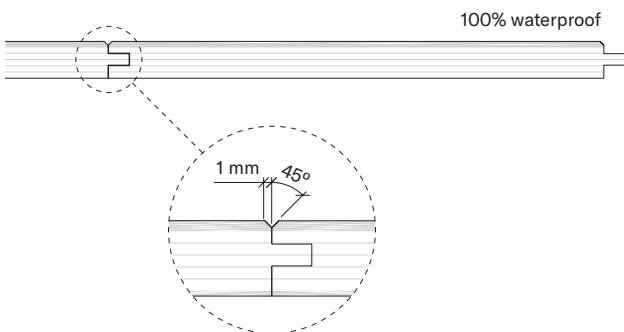
NATURFLOOR-W is available with a choice of 3 different board joint options:

Non-bevel joint:
Boards have a conventional 'closed' and flush joint.



Bevel on the long side only:
Boards have a bevelled joint only at their longitudinal edges.

Bevel on all sides:
Boards have a bevelled joint to all 4 edges.



Before installing:

Measure the subfloor humidity level to confirm it meets our minimum requirements. The subfloor must meet specific requirements before installing the material or storing it on-site:

- It must be solid and consistent, without risk of failure or subsequent deformation.

- The moisture content of the concrete slabs must meet one of the following requirements:

1. Calcium carbide test (CM) (ASTM D 4944):
The moisture must be less than 2.5%.

2. Anhydrous calcium chloride test (ASTM F1869):
The limit for installing flooring with adhesive is < 3 lbs / 1000 ft² / 24 h. An insulation mat should be placed over the concrete subfloor, so the limit would be < 7 lbs / 1000 ft² / 24 h.

3. Relative humidity test (ASTM F 2170):
The moisture level for installing the flooring is < 75%.

- The subfloor must ensure that the moisture content complies with the standards established for natural wood flooring.

- It must be completely clean, free from oil or residues from other materials.

- It must be level, with a maximum deviation of 0.15%, or 3 mm over 2000 mm.

- To ensure that the subfloor meets the above conditions, a self-leveling compound should be applied according to the manufacturer's instructions.

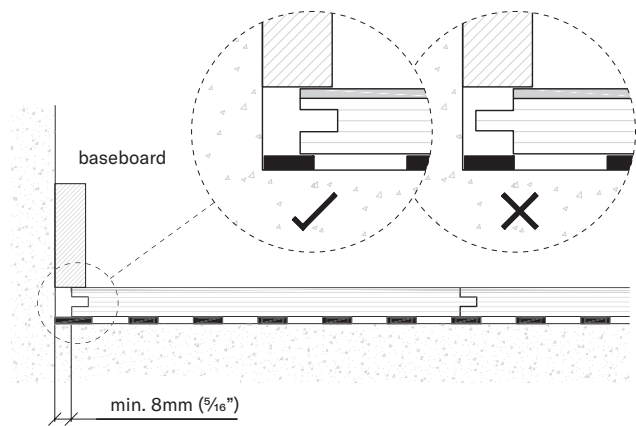
If laying on top of an existing wood subfloor, the new boards should be installed at 90° to the original, if possible.

It is generally advisable to install the material parallel to the main source of light, in a longitudinal direction.

How to install PARKLEX PRODEMA flooring by using gluing down system

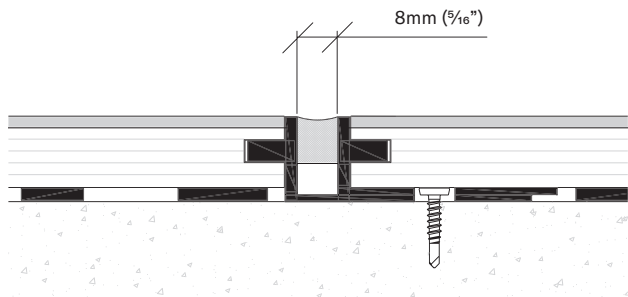
Expansion joints:

Due to the material composition and its expansion/contraction movements, it is essential to leave expansion joints/gaps of $\geq 5/16''$ (8 mm) around the perimeter of the area of installation, next to walls and obstacles. This distance must be consistently maintained with the temporary use of wedges during the installation process. The floor should never be installed in direct contact with the walls or other fixed elements of the construction, or have a joint/gap less than $5/16''$ (8 mm).



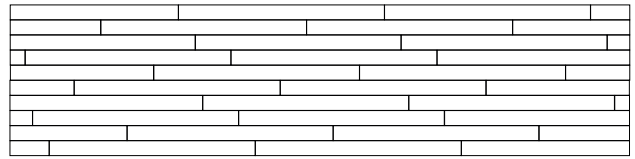
The floor must be allowed to expand, for example, next to thresholds, door frames, heating pipes and adjoining floor finishes. It is also important to ensure that a skirting board covers the contraction that occurs during the winter, as much of this contraction is at the perimeter.

For installations equal to or longer than 26' (8 m) in either direction, we recommend the installation at least one intermediate expansion joint of $5/16''$ (8 mm).

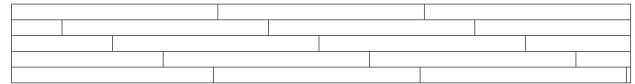


Installation patterns:

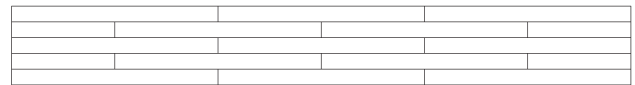
Random layout



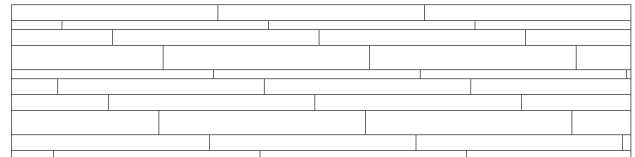
Running bond 1/4



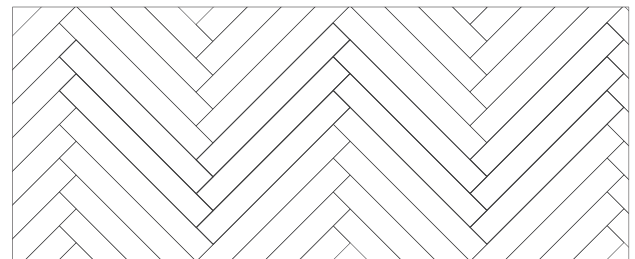
Brick bond 1/2



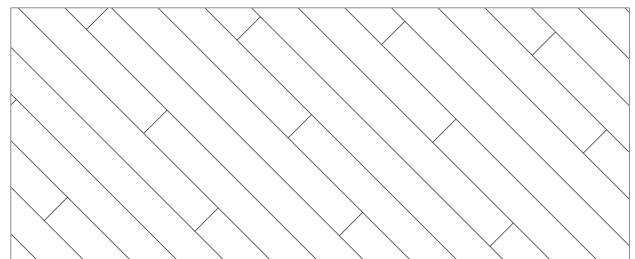
Multiple board widths



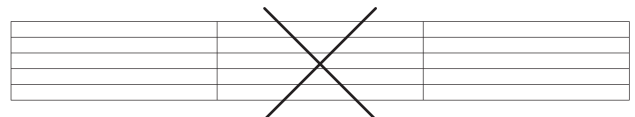
Herringbone tread



Boards run at 45°



Incorrect method: stack joint

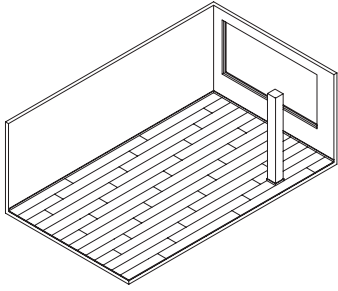


In order to install NATURFLOOR-W following other installation patterns, please consult the PARKLEX PRODEMA technical department.

How to install PARKLEX PRODEMA flooring by using gluing down system

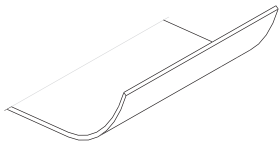
System components

Layout

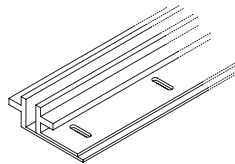


Accessories

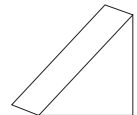
Insulation underlayment



Expansion joint



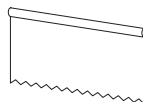
Wedge



Silane Modified Polymers (MS)



Spatula

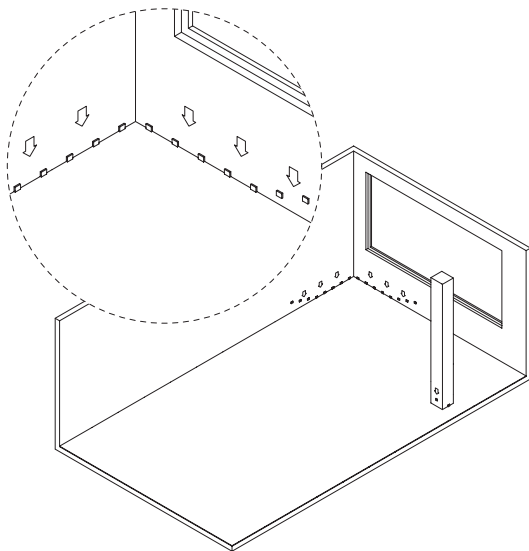


D3/D4 PVA adhesive

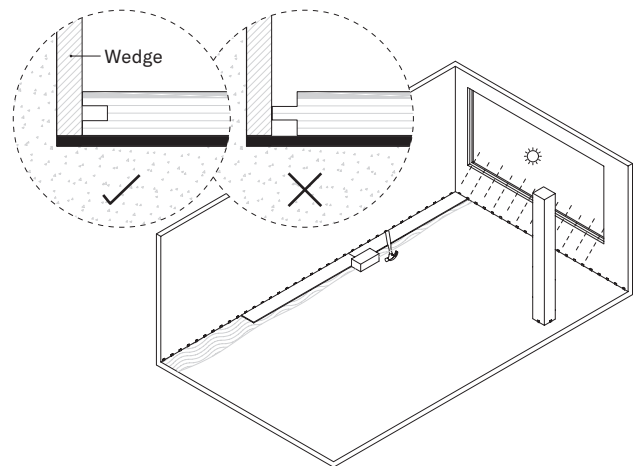


How to install PARKLEX PRODEMA flooring by using gluing down system

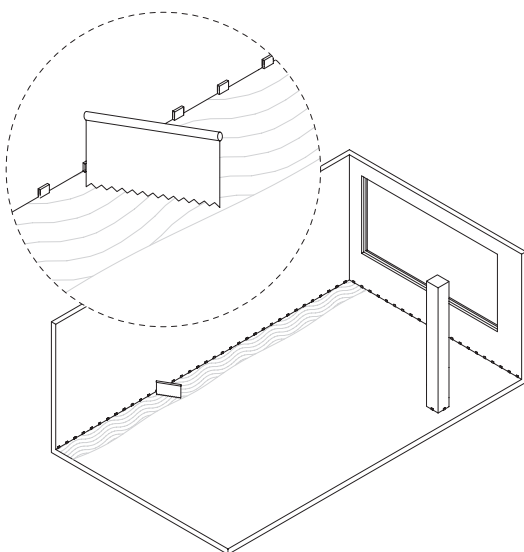
During the installation process, ≥ 8 mm temporary wedges must be placed at the perimeter, next to walls or other fixed points, to allow for future expansion/contraction.



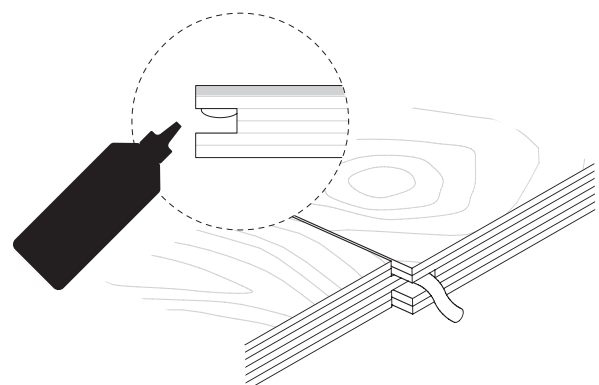
After selecting the direction of the grain, place the first row of boards with the groove facing the wall, ensuring that the line is consistent. The following row should be started with the off-cut from the previous row, ensuring that the heads of the two consecutive rows are an absolute minimum of 18" (450 mm) apart, with an optimum offset of 24" (600 mm).



Spread the gluing down adhesive on the slab. Follow the recommendations of the gluing down adhesive company, especially in terms of quantity, adhesion method, temperature and humidity conditions, and other recommendations of the material requirements.

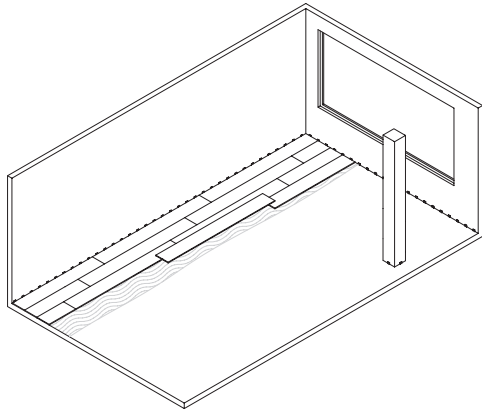


On this row, apply continuous lines of D3/D4 PVA adhesive just inside the upper edge of the groove to ensure that the tongue is fully coated when the boards are tapped together. This ensures a water-resistant finish, and maximum strength at the joint. It is essential that any excess surface adhesive visible at the joints is immediately and completely wiped off with a damp cloth, or it will be visible when dry. Adhesive is of no use at the back of the slot, an area designed to attract excess adhesive inside the joint. In order to ensure a perfect insertion, tap against the tongue of the boards. Use a tapper/tapping block to prevent the tongue from deforming.



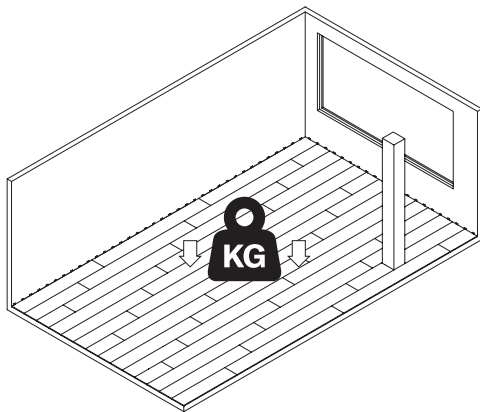
How to install PARKLEX PRODEMA flooring by using gluing down system

Place next rows in the same way.



Once the NATURFLOOR-W engineered wood floor is installed, place weight above until the gluing down adhesive polymerizes.

Remove the temporary wedges after 24 hours and fit a skirting board with a suitable thickness to cover the perimeter joints.



PARKLEX PRODEMA provides three specific applications by using striped glued floor system:

- Application over underfloor heating
- Application in humid environments
- Application with multiple widths

Application over underfloor heating:

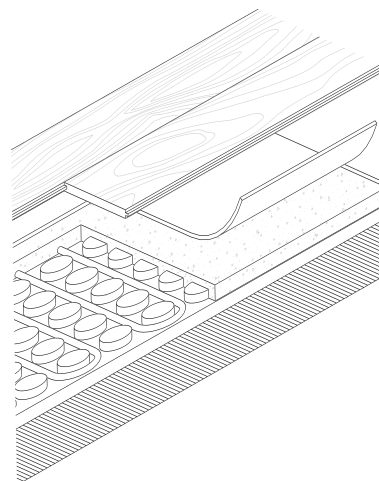
The striped gluing down floor system on radiant floors can only be installed with planks that are 188mm (7 1/2") wide.

Specific materials: Insulation underlayment
Provided by PARKLEX PRODEMA

NATURFLOOR-W can be installed over radiant heating provided the installation fully complies with a series of conditions regarding the commissioning of the heating circuit, the NATURFLOOR-W installation and its subsequent operation.

The humidity must be below 2%.

Underfloor or radiant heating systems work either by warm water circulation or by electrical mats. In these systems, the coils formed by the heating pipes or mats are embedded into a variety of subfloors. Please refer to the specific detail and instructions supplied by the installer of the system in place.

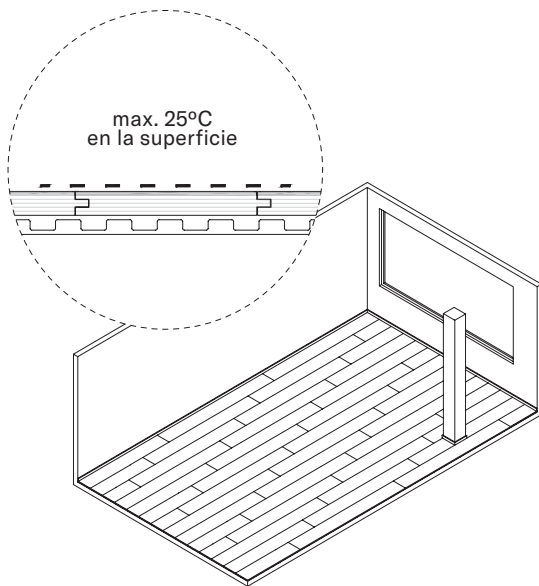


How to install PARKLEX PRODEMA flooring by using gluing down system

Floor temperature and humidity are the two key factors that must be kept under control to ensure that the floating floor works correctly. Before proceeding to the floor installation, it is imperative that the subfloor meets the necessary conditions described above. It is essential that the water circuits have no leaks, and the boiler manufacturer and/or installer have fully approved the installation. No responsibility will be accepted by PARKLEX PRODEMA for any failures of our product due to the performance or incorrect operation of the heating system.

The heating system must be switched off two days before the installation of NATURFLOOR-W.

Once NATURFLOOR-W has been installed, it is important to regulate the heating so that the surface temperature of the floor does not exceed 77°F (25°C), always avoiding any sudden temperature variations.



Application in humid environments:

The striped glued floor system in humid environments can be installed with planks that are 188mm (7 1/2"), and 290mm (11 1/2") wide.

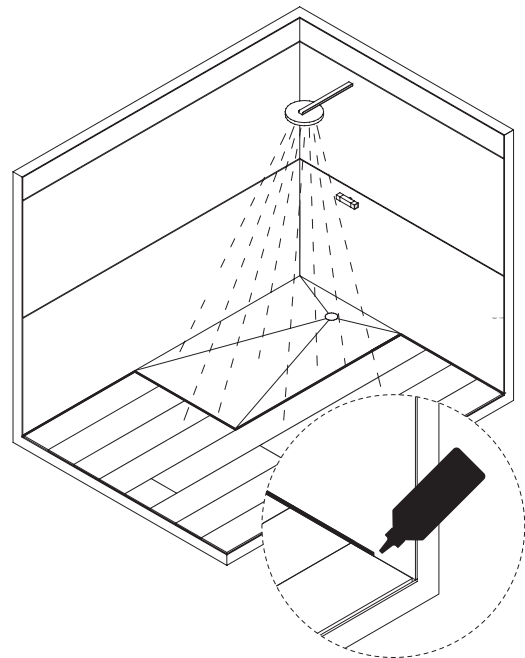
Specific materials: Waterproof sealer

For installations of NATURFLOOR-W boards in high humidity environments (bathroom, kitchen, locker room, spa,...) it is important to follow the installation system described in this document.

After having completed the indicated system, this application requires to seal perimeter joints.

For the sealing of perimeter joints on walls and other fixed points (shower tray, bath, columns, door frames...) it is necessary to use a waterproof sealer (silicone or similar) that allows for the dimensional variations of the material and prevent the entry of liquids through the joints.

Do not use too much water or leave puddles of water on the floor.



Application with multiple widths:

The gluing down system with different plank widths can only be installed with planks that are 188mm (7 1/2") and 290mm (11 1/2") wide.

