

INTERIOR HANGING HOOK SYSTEM FOR CEILINGS

PARKLEX PRODEMA

CONTENT

0. Intro	3
1. Installation	4
1.- Preparing the ceiling	4
2.- Hanging rail	4
3.- Maximum cantilever for the hanging rail	4
4.- Installing hooks.....	4
5.- Place the hooks.....	4
6.- Predrill the panel	4
7.-Installing the panels on the ceiling	4
8.- Expansion joint.....	4
9.- Fixing/Floating point	4
10.- Panel removal	4

** This document contains instructions on installation. For satisfactory installation, all instructions on transport, storage, handling, cleaning and maintenance described in the Walls and Ceilings catalogue and the User Manual must be followed.*

*** The most current version of these instructions is available on the PARKLEX PRODEMA website (www.parklexprodema.com).*

**** Measurements in inches are approximate. Real measures are in mm.*

PARKLEX PRODEMA

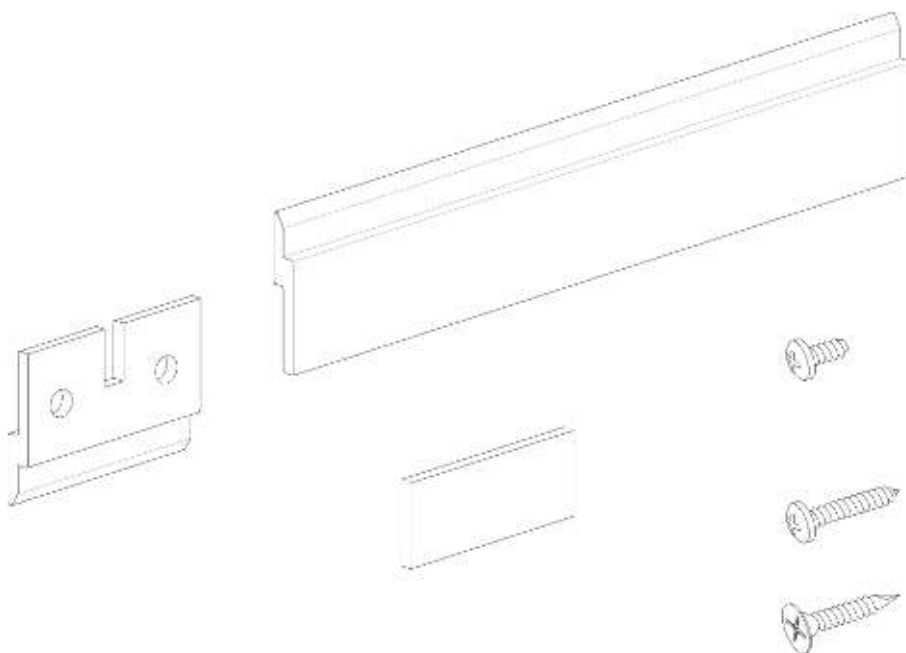
0. Intro

This installation system is valid for 96"x48" (2440x1220mm) Naturpanel (8mm or thicker) and Naturhardpanel (8mm or thicker) panels. This installation system is removable and it can be installed on to a wood or a metallic subframe.

Accessories

This installation system is composed of:

- A black lacquered interior hanging guide.
- Black interior hanging hooks.
- The panel screw DIN7981 F Type d: 3mm L: 8mm Torx head.
- Screw for the fixed point. DIN 7505B M:3.5 L:25mm for wood and 7504N M:3.5 L:19mm screws for metal subframe.
- 1/8" (3mm) shim, provided by others.



PARKLEX PRODEMA

1. Installation

1.- Preparing the ceiling

The horizontal guides can be installed directly on the ceiling or a wooden or a metallic subframe. The subframe/ceiling behind must be totally aligned to avoid the panel copies the imperfections of the supporting surface.

Guides are aluminum made and black lacquered, and must be always installed horizontally. It is important to ensure a correct alignment of the subframe and the hanging guides on the supporting element.

2.- Hanging rail

The hanging guides must be fixed every 24"/600mm to the supporting element. The maximum cantilever of the horizontal hanging profiles must be controlled to maintain their rigidity;

3.- Maximum cantilever for the hanging rail. The maximum cantilever distance is 4" (100mm).

4.- Installing hooks

The distance between hanging guides and hanging hooks depends on the thickness of the panel.

<u>Panel thickness (mm)</u>	<u>Distance between hooks</u>
8,10	<24" 600mm

5.- Place the hooks

Place the interior hooks on the back of the panel according to the hanging guides' position and the recommended maximum distance to the edge of the panel.

6.- Predrill the panel

Predrill the backside of the panel with a diameter of 3/32" (2.5mm) depth of 7/32" (5.5mm). After doing the predrilling, remove the remaining shavings from the hole. Use the panel screw DIN7981 F - d: 3mm – L:8mm to fix the interior hooks to the panel.

7.-Installing the panels on the ceiling

Once the hooks are installed, place the interior hooks on the hanging guides installed on the ceiling.

8.- Expansion joint

Leave a joint of 5/16" (8mm) between the panels to allow the material's contraction and expansion movements and also the access to the fixing point.

9.- Fixing/Floating point

In order to control the natural expansion and contraction movements of the panel, the panel must be fixed to the backing subframe.

If the subframe is wood made the fixing point screw will be the DIN 7505B M:3.5 L:25mm and if it is metallic the screw will be the DIN 7504N M:3.5 L:19mm.

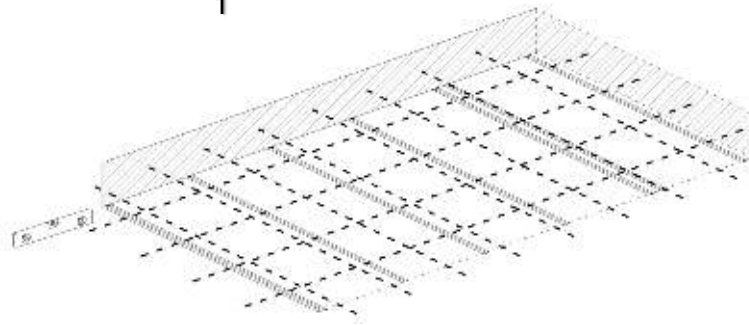
Fix only one hook per panel to the backside using the slot on the hook. The rest of the hooks must be free from the fixing screw to allow the panel contract and expand freely.

10.- Panel removal

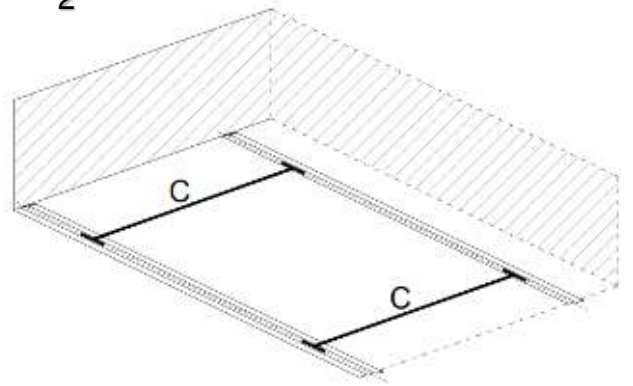
Panels can be removed by removing two pieces. First remove the fixed screw from the piece we need to remove and the piece next to it. Then, push the second panel. This will create a 5/8" (8mm) gap that will make possible the first panel removal.

PARKLEX PRODEMA

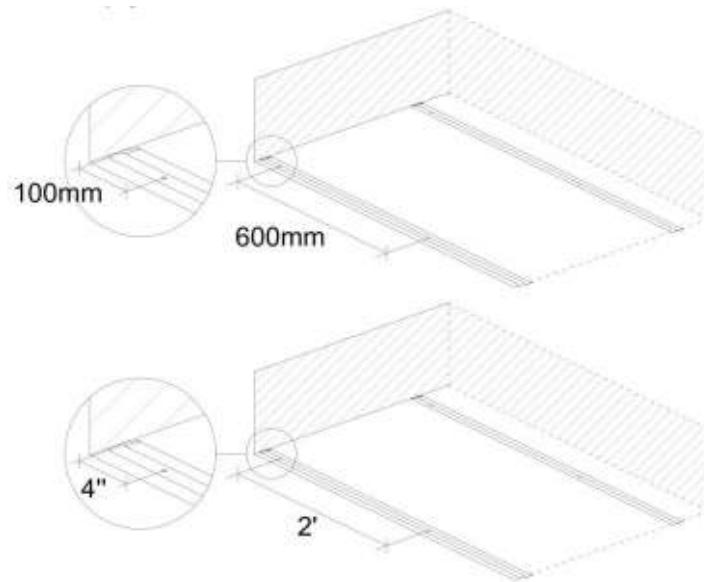
1



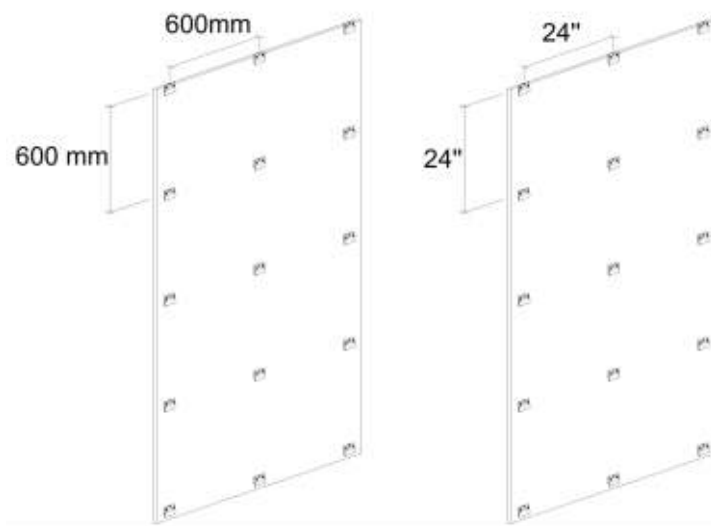
2



3

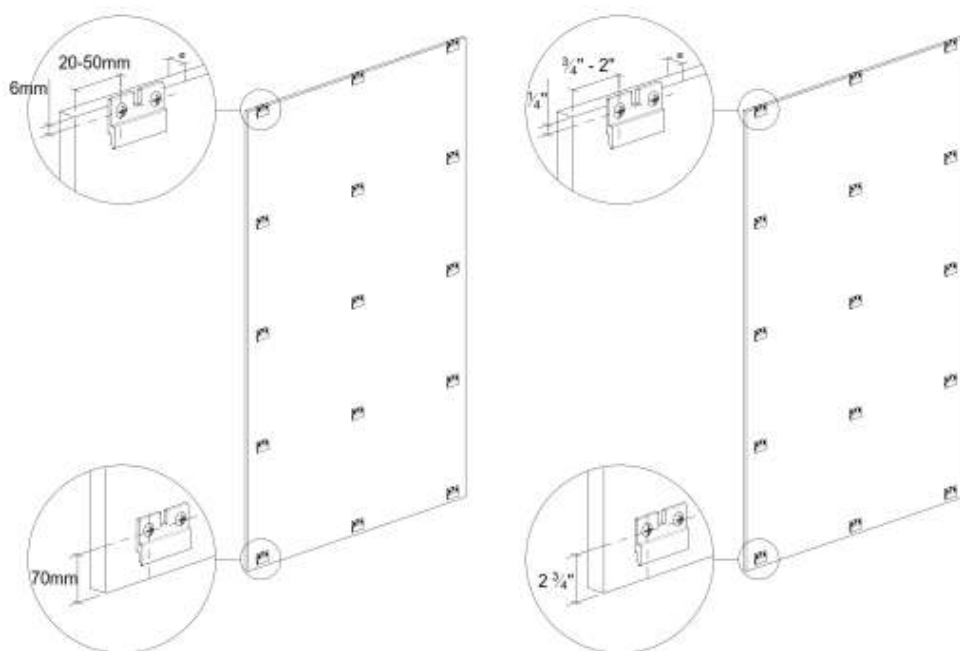


4

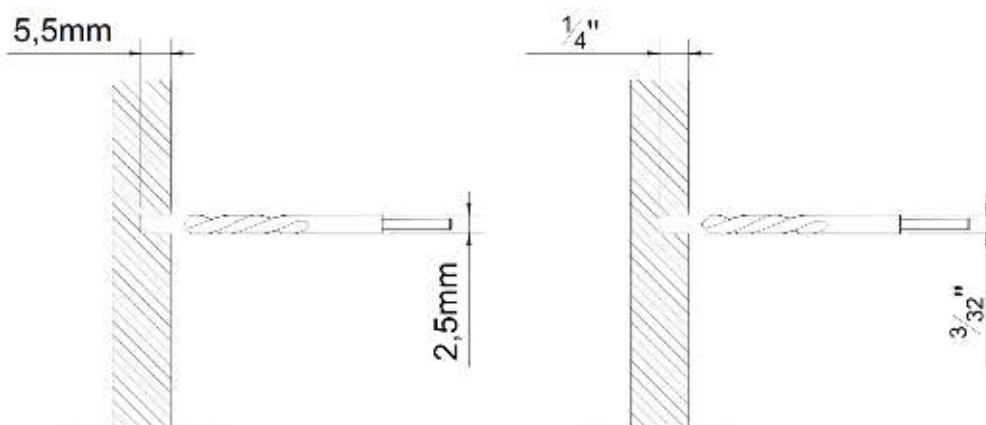


PARKLEX PRODEMA

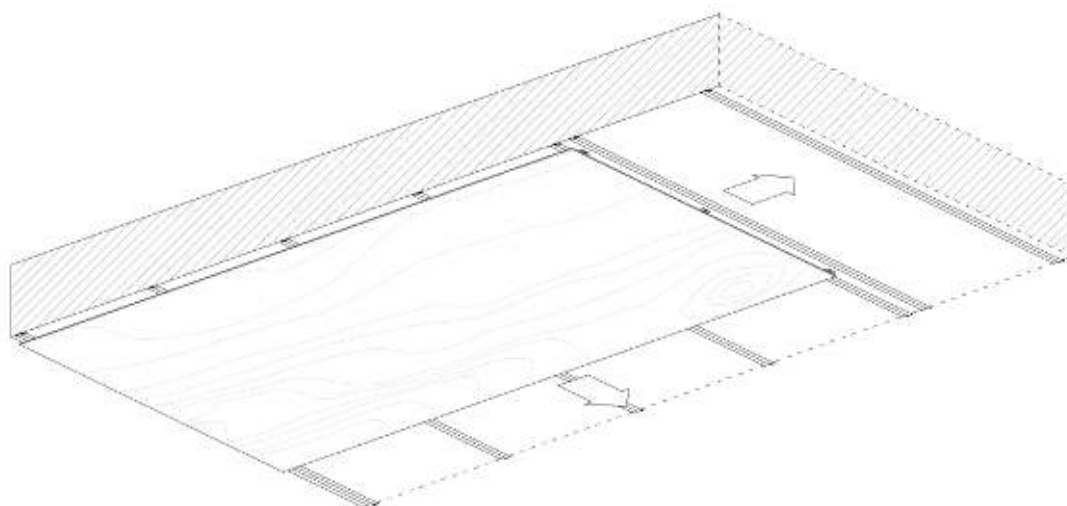
5



6

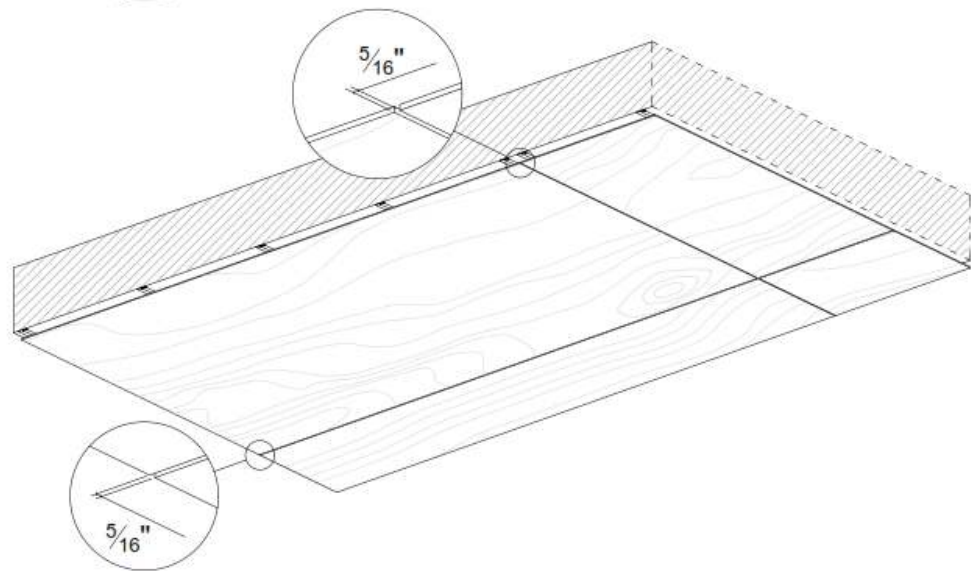
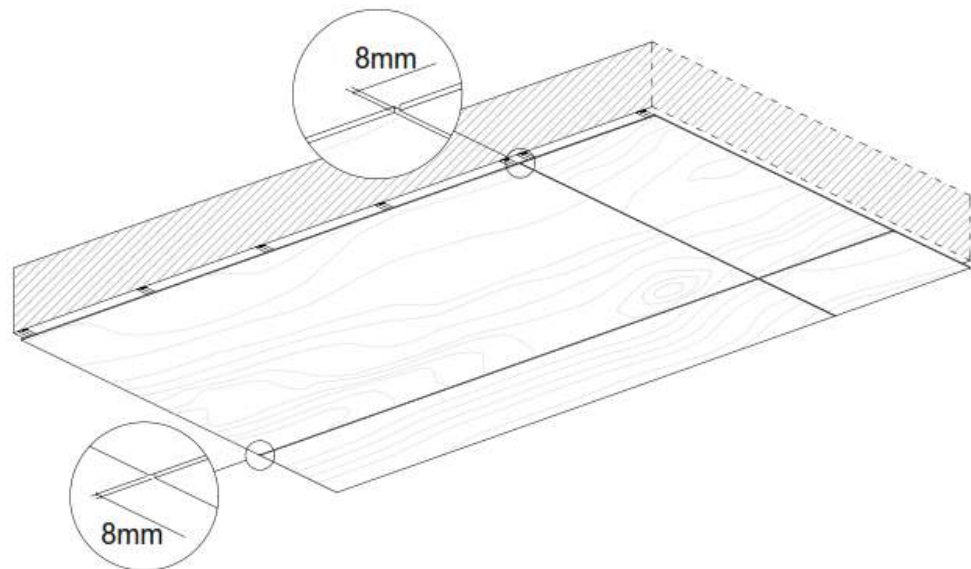


7

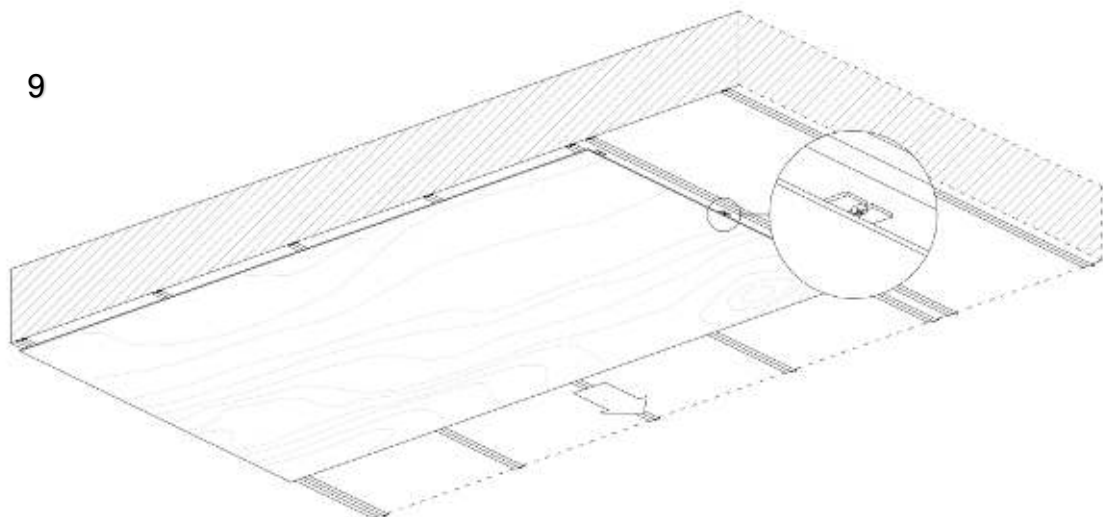


PARKLEX PRODEMA

8



9



PARKLEX PRODEMA

10

