

# HORIZONTAL ONESIDING

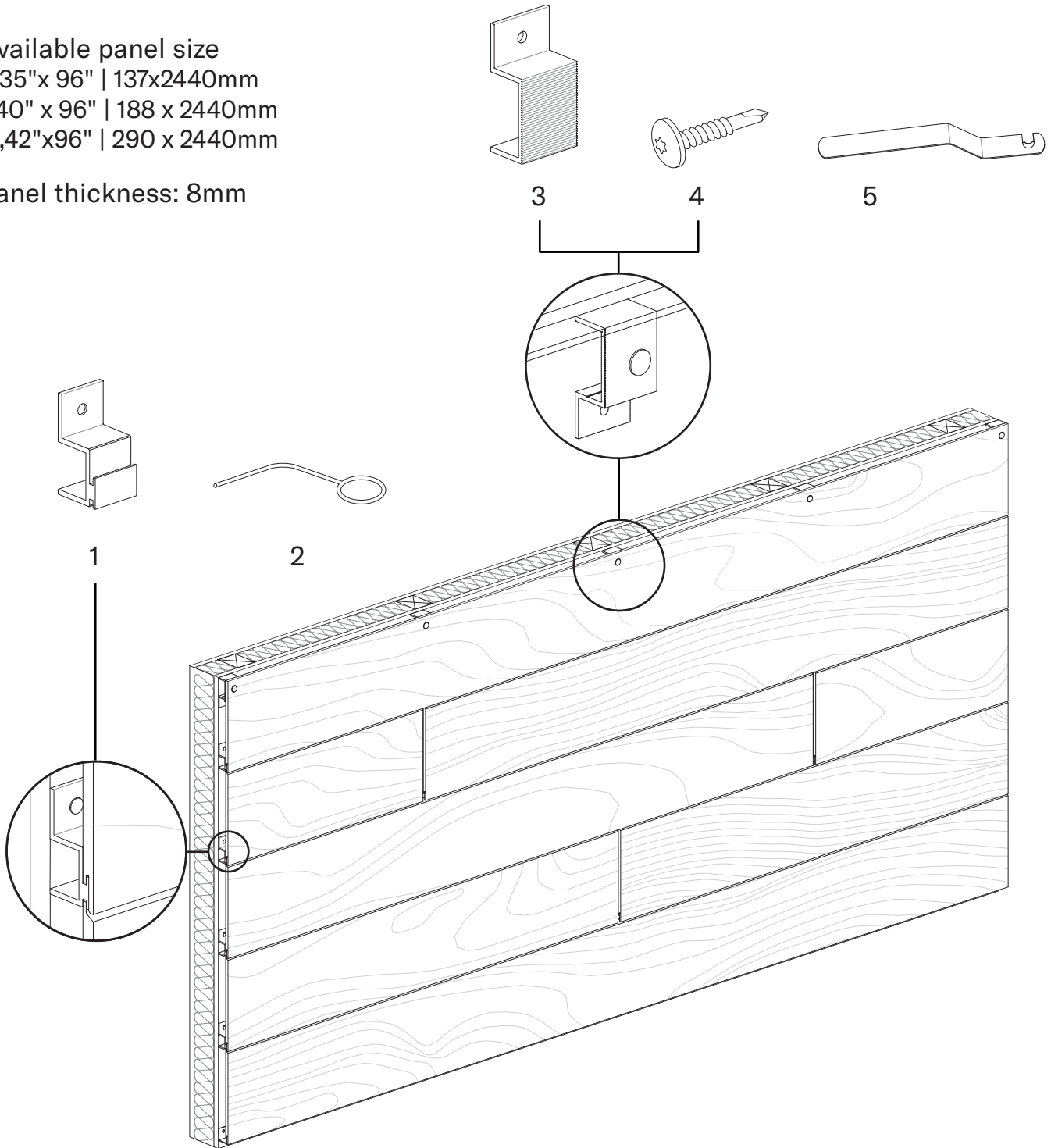
Available panel size

5,35" x 96" | 137x2440mm

7,40" x 96" | 188 x 2440mm

11,42" x 96" | 290 x 2440mm

Panel thickness: 8mm



1. Onesiding clip
2. Gap Gauge Tool
3. 1" Jay Shim
4. SX3 15-D12-5 TORX Screws for Metal - Painted
5. Centering Device for SX3 Screws