



**CONCEALED FASTENING WITH INTERIOR HANGING SYSTEM
NATURPANEL-W, NATURHARDPANEL-W**

PARKLEX PRODEMA

How to install interior panels by using concealed fastening with interior hanging system

NATURPANEL-W and NATURHARDPANEL-W panels can be installed by using concealed fastening with interior hanging system.

This installation system is removable and it can be installed on wood or a metallic subframe, and can be applied to interior walls and ceilings.

In the event that the wall is not perfectly plumb, wall brackets or shims are used to adjust the depth of the channel installation.

Panel thicknesses:

	8mm	10mm	11mm
NATURPANEL-W	√		√
NATURHARDPANEL-W	√	√	

Panel dimensions:

2440 x 1220 mm (8' x 4')

2700 x 1220 mm (8.86' x 4') upon request

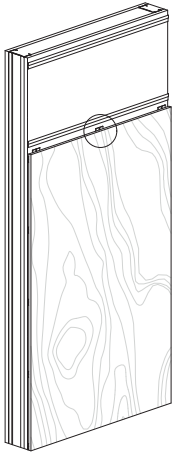
Panel layout:

	HORIZONTAL	VERTICAL
NATURPANEL-W	√	√
NATURHARDPANEL-W	√	√

How to install interior panels by using concealed fastening with interior hanging system

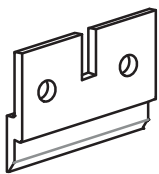
System Components:

Fixing



Recommended installation tools

Interior hanging hook



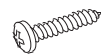
Screw M3X8



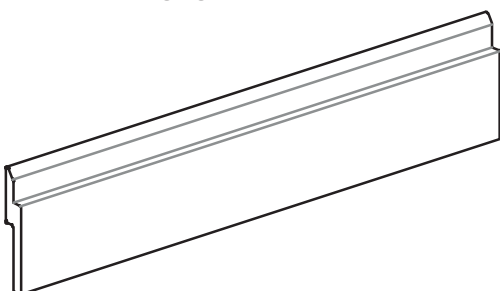
Metal Screw for fixed point DIN 7504N



Wood Screw for fixed point DIN 7505B



Interior Hanging Rail

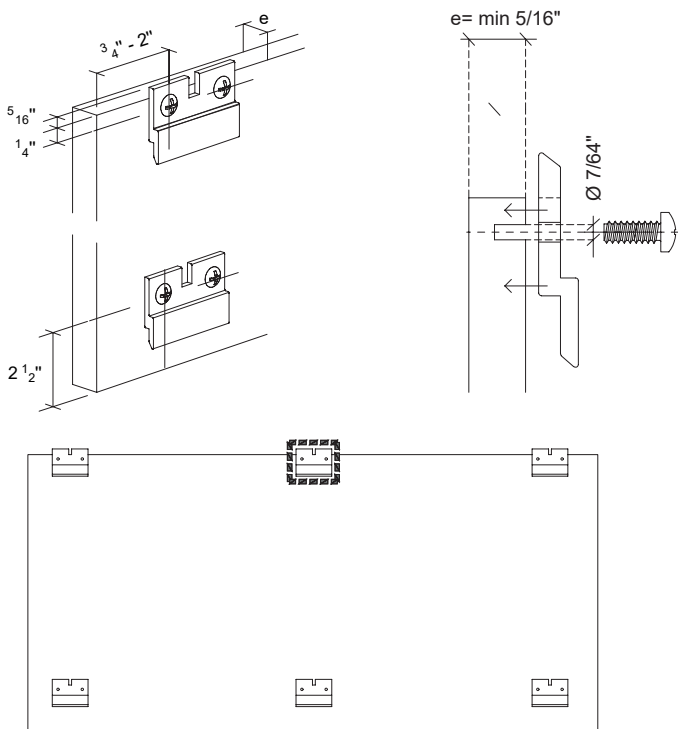


How to install interior panels by using concealed fastening with interior hanging system

This system is suitable for the installation of panels on walls and ceilings. However, it is important to pay attention to the installation on ceilings, where one of the pieces must be secured with screws.

On ceilings

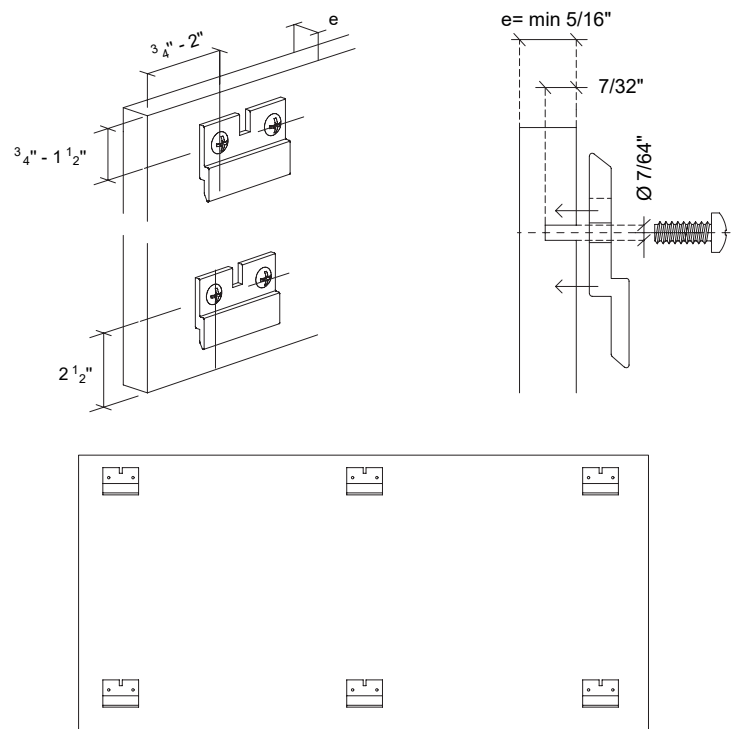
PARKLEX PRODEMA recommends to fasten the hooks at the back subframe when panels are to be installed on ceilings so it prevents pieces from falling down. This can only be achieved by placing the hooks at the edge of the panel, as shown on the image below.



At least one fixed point per panel

On walls

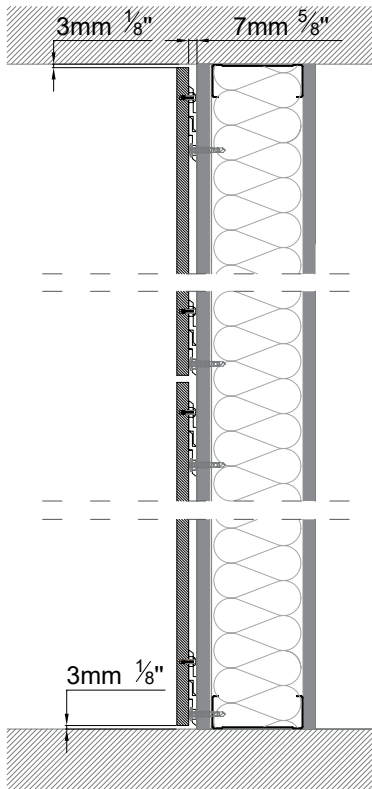
On walls the hooks can be placed either at the edge or on the inner part of the panel, as shown on the image below.



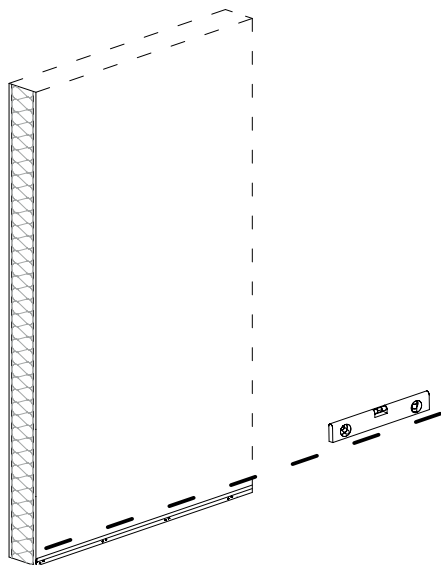
How to install interior panels by using concealed fastening with interior hanging system

Interior hanging system for walls:

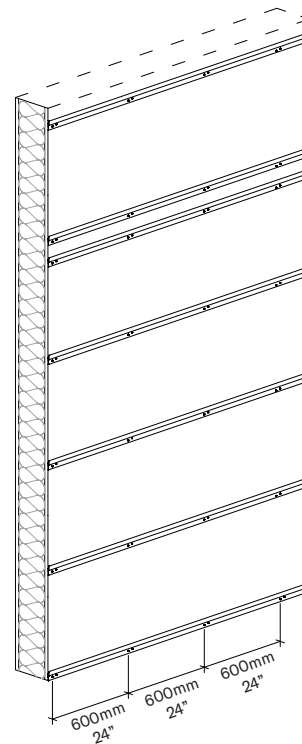
1. The horizontal guides must be installed on the wall or a wooden or a metallic substructure. The substructure must be totally aligned to avoid the panel reflects the imperfections of the supporting wall.



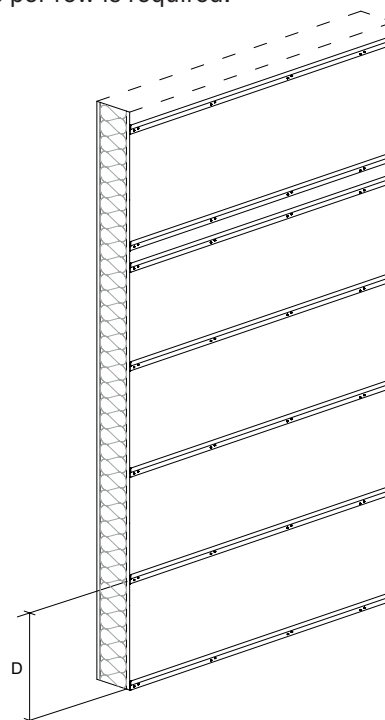
2. Guides are made of aluminum and black lacquered, and must be always installed horizontally. It is important to ensure a correct alignment of the substructure and the hanging guides on the supporting element.



3. The hanging guides must be fixed every 600mm (24") max. to the supporting element. The maximum cantilever of the horizontal hanging profiles must be controlled to maintain their rigidity; the maximum cantilever distance is 100mm (4").

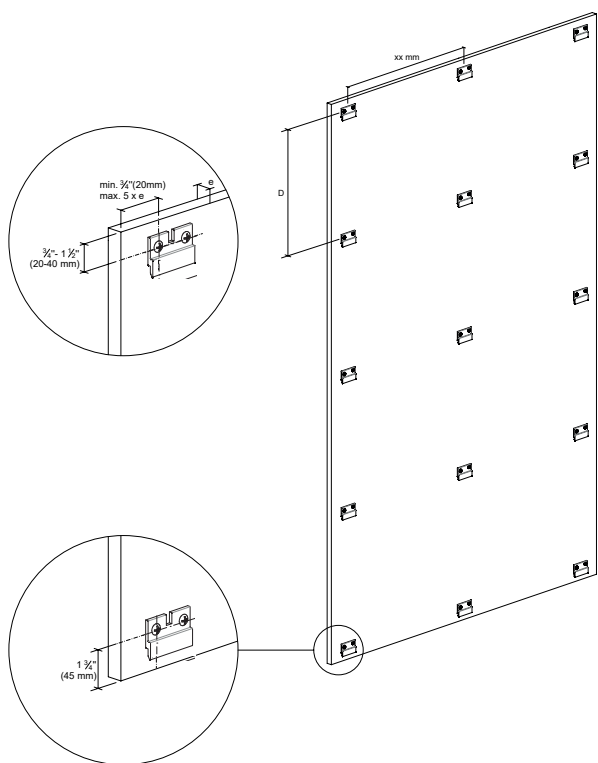


4. The distance between hanging guides and hanging hooks depends on the thickness of the panel. A minimum of 3 fixings per row is required.

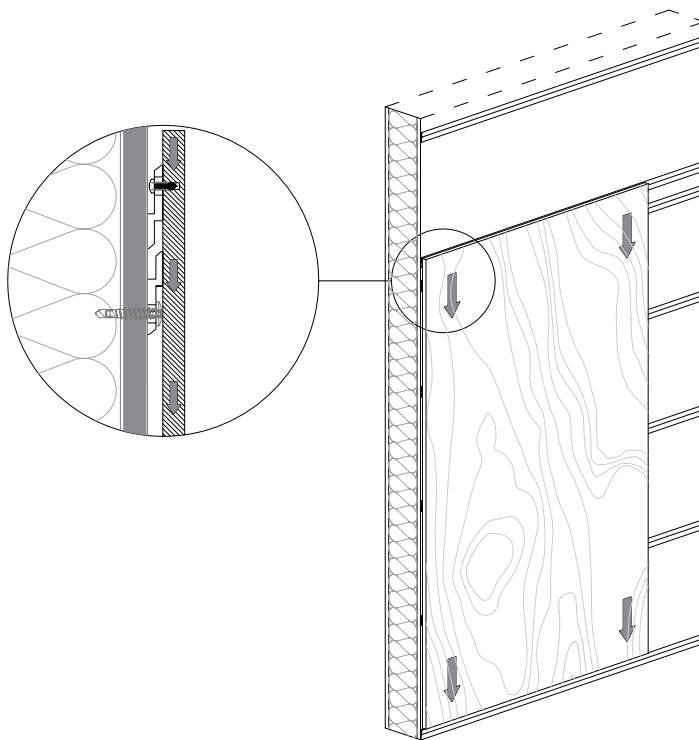


How to install interior panels by using concealed fastening with interior hanging system

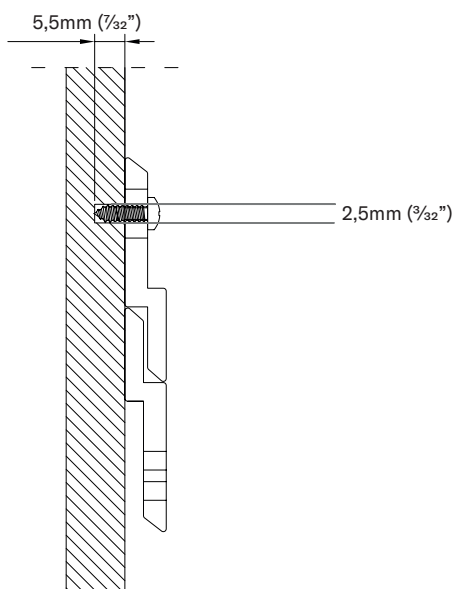
5. Place the interior hooks on the back of the panel according to the hanging guides' position and the recommended maximum distance depending on the thickness of the chosen panel. Keep the following distances from the interior hook to the edge of the panel.



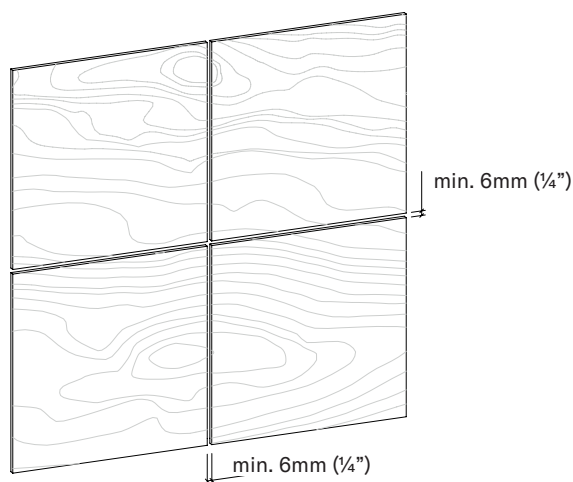
7. Start installing the panels from the bottom to the top of the wall. Once the hooks are installed, place the interior hooks on the hanging guides. Add a piece of EPDM tape between one hook and the hanging guide to block the horizontal movement of the panel.



6. Predrill the backside of the panel with a diameter of 2.5mm (3/32") depth of 5.5mm (7/32"). After doing the predrilling, remove the remaining shavings from the hole. Use the panel screw DIN7981 type F d: 3mm and L: 8mm screw to fix the interior hooks to the panel.



8. Leave a joint of 6mm/1/4" between the panels to allow the material's contraction and expansion movements.



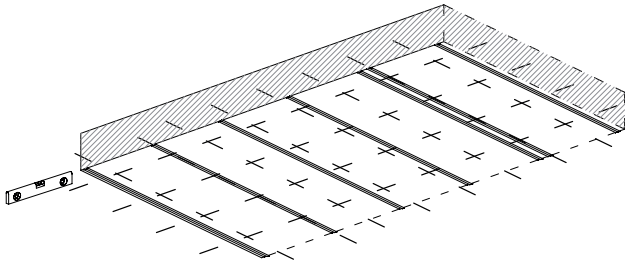
Panels can be removed by unhooking the panel, starting from the top of the wall and going down after.

How to install interior panels by using concealed fastening with interior hanging system

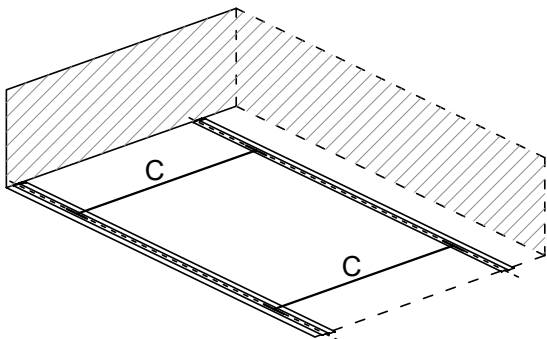
Interior hanging system for ceilings:

The horizontal guides can be installed directly on the ceiling or a wooden or a metallic subframe. The subframe/ceiling behind must be totally aligned to avoid the panel copies the imperfections of the supporting surface.

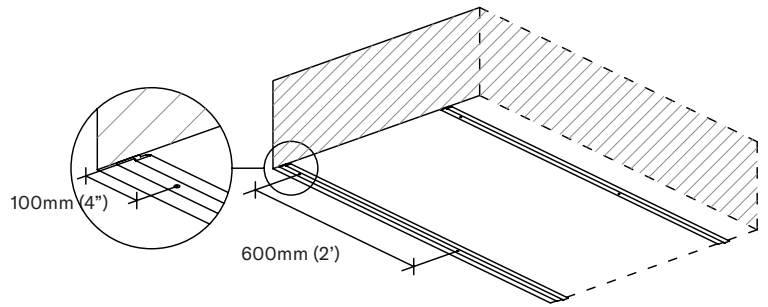
Guides are aluminum made and black lacquered, and must be always installed horizontally. It is important to ensure a correct alignment of the subframe and the hanging guides on the supporting element.



1. The hanging guides must be fixed every 24"/600mm to the supporting element. The maximum cantilever of the horizontal hanging profiles must be controlled to maintain their rigidity.

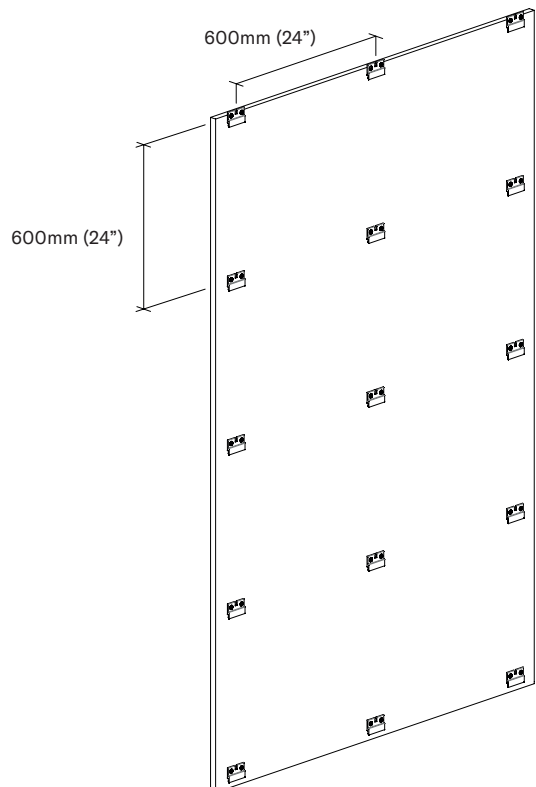


2. The maximum cantilever distance is 4" (100mm).



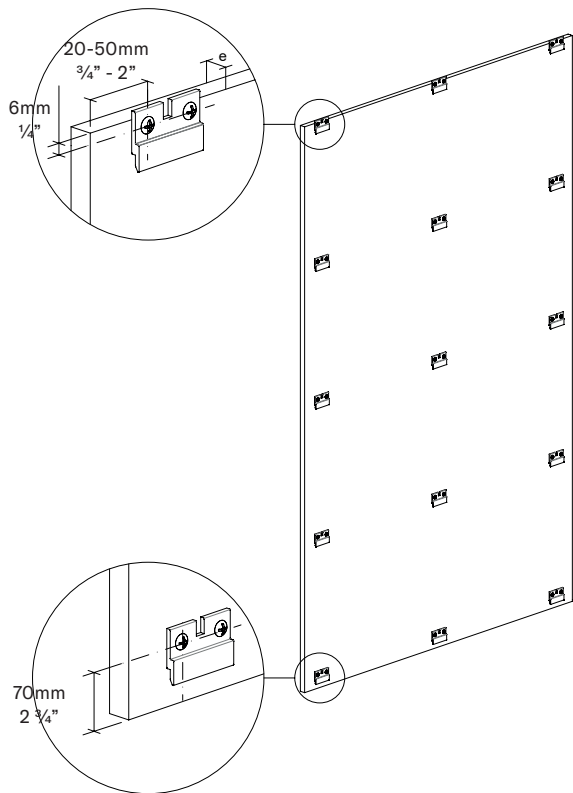
3. The distance between hanging guides and hanging hooks depends on the thickness of the panel.

Panel thickness (mm)	Distance between hooks
8,10, 11	<24" / 600mm

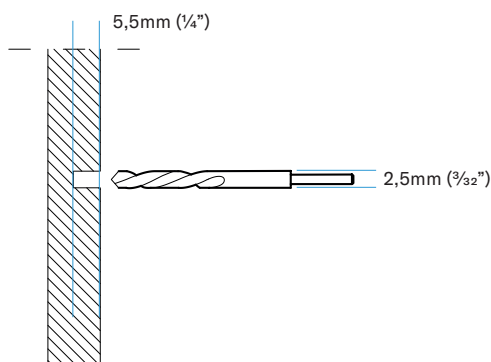


How to install interior panels by using concealed fastening with interior hanging system

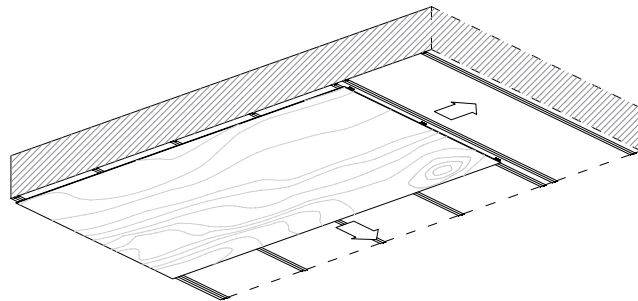
4. Place the interior hooks on the back of the panel according to the hanging guides' position and the recommended maximum distance to the edge of the panel.



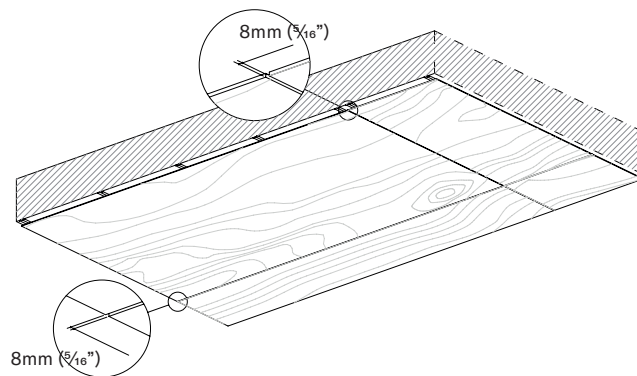
5. Predrill the backside of the panel with a diameter of 2.5mm (3/32\"/>



6. Once the hooks are installed, place the interior hooks on the hanging guides installed on the ceiling.



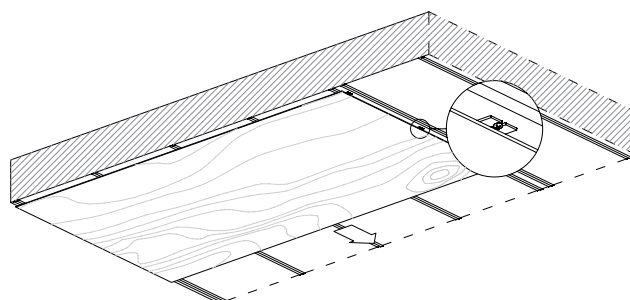
7. Leave a joint of 8mm (5/16\"/>



8. In order to control the natural expansion and contraction movements of the panel, the panel must be fixed to the backing subframe.

If the subframe is wood made the fixing point screw will be the DIN 7505B M:3.5 L:25mm and if it is metallic the screw will be the DIN 7504N M:3.5 L:19mm.

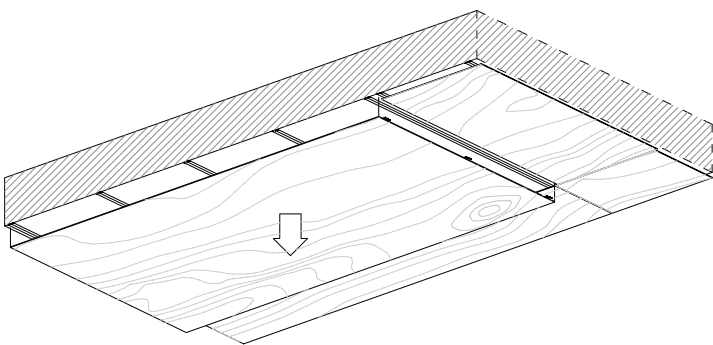
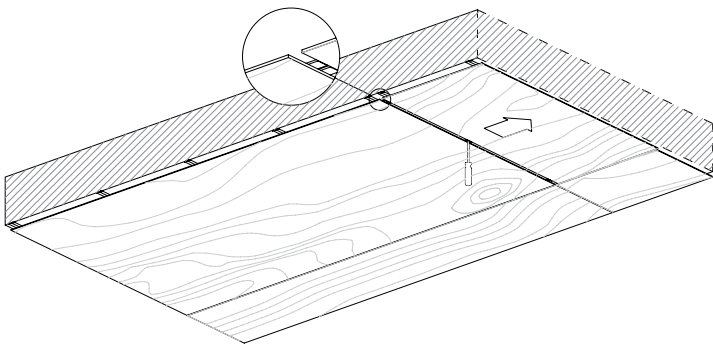
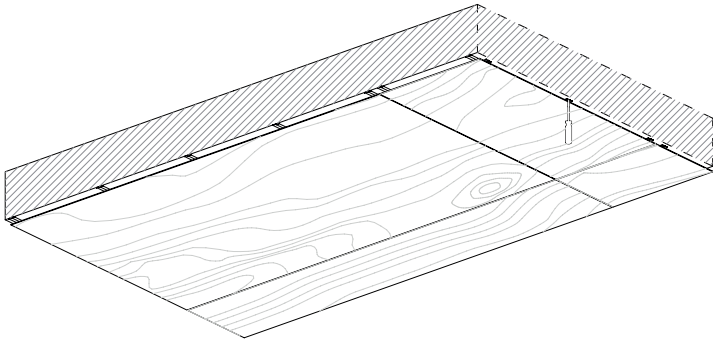
Fix only one hook per panel to the backside using the slot on the hook. The rest of the hooks must be free from the fixing screw to allow the panel contract and expand freely.



How to install interior panels by using concealed fastening with interior hanging system

9.

Panels can be removed by removing two pieces. First remove the fixed screw from the piece we need to remove and the piece next to it. Then, push the second panel. This will create a 5/8" (8mm) gap that will make possible the first panel removal.

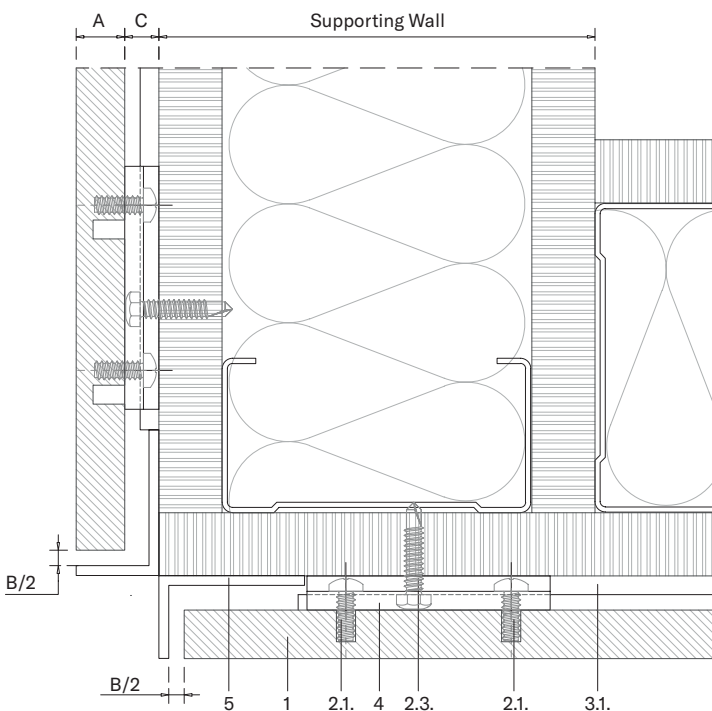
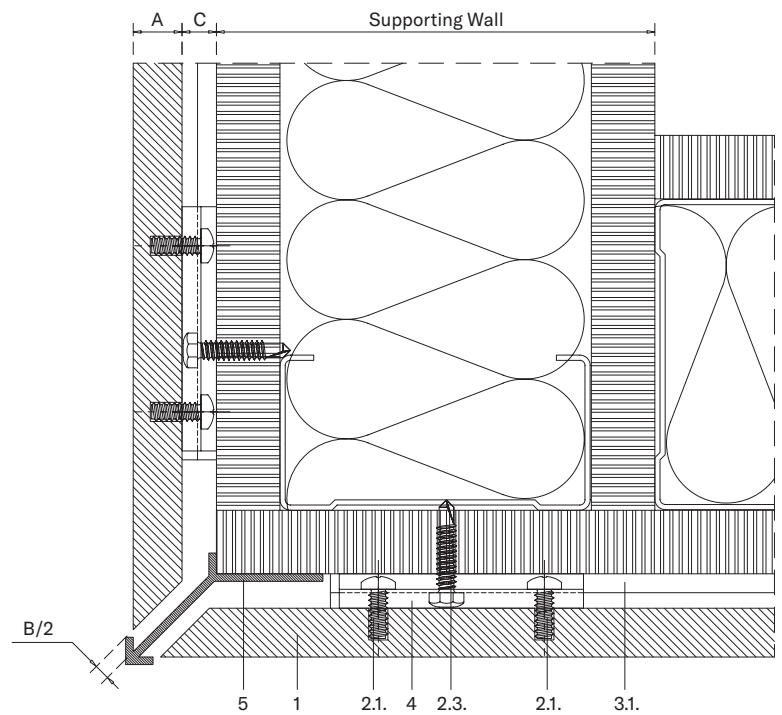
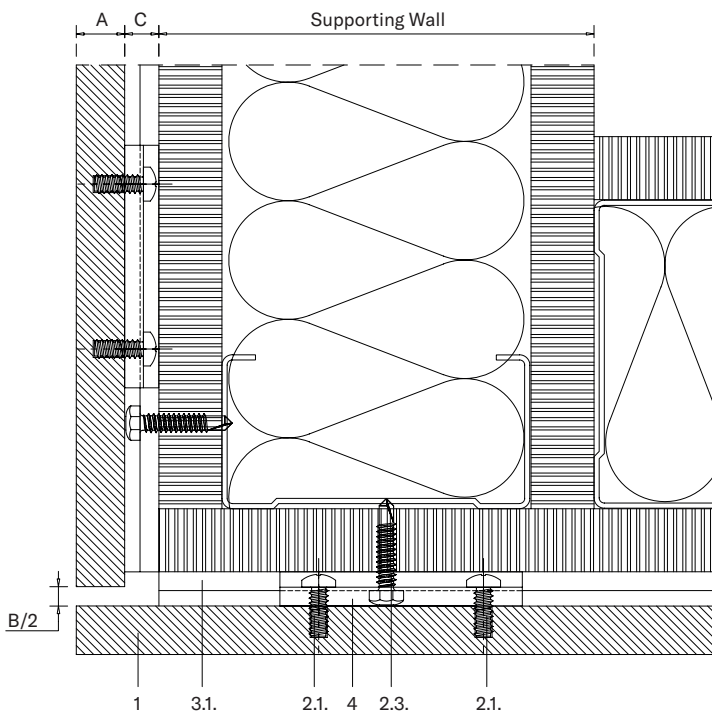


How to install interior panels by using concealed fastening with interior hanging system

Installation details:

PARKLEX PRODEMA has an extensive range of solutions showing all types of installation details to address corners, windows, crowns, etc. All of these details are available on the Technical Area of the PARKLEX PRODEMA website.

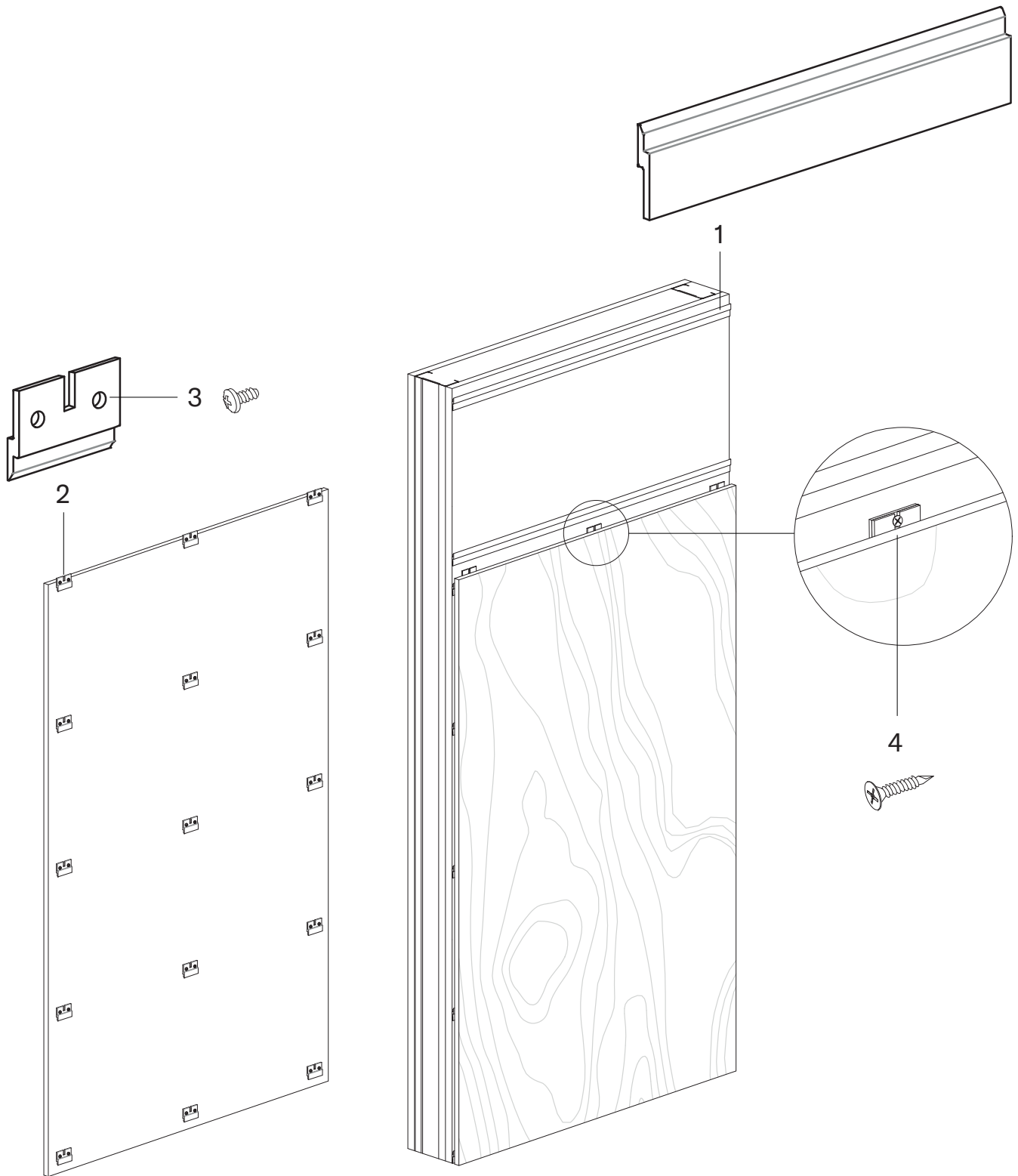
OUTSIDE CORNER DETAIL



- 1. NATURHARDPANEL-W
- 2. Screws
- 2.1. Panel screw - on the rear of the panel
- 2.2. Clip fixing screw*
- 2.3. Wall fixing screw
- 3. Profiles
- 3.1. Interior hanging rail
- 4. Interior hanging hook for walls and ceilings
- 5. Corner trim - black lackered
- 6. Dropped ceiling subframe - by others
- A. Panel thickness 8mm (5/16")
- B. Expansion joint 6mm (1/4")
- C. Chamber depth min. 7mm (9/32")
- D. Top expansion joint 20mm (3/4")
- E. Clip fixing screw joint (when needed) 8mm (5/16")

* PARKLEX PRODEMA offers fixing screw for metal and wood substrates

How to install interior panels by using concealed fastening with interior hanging system



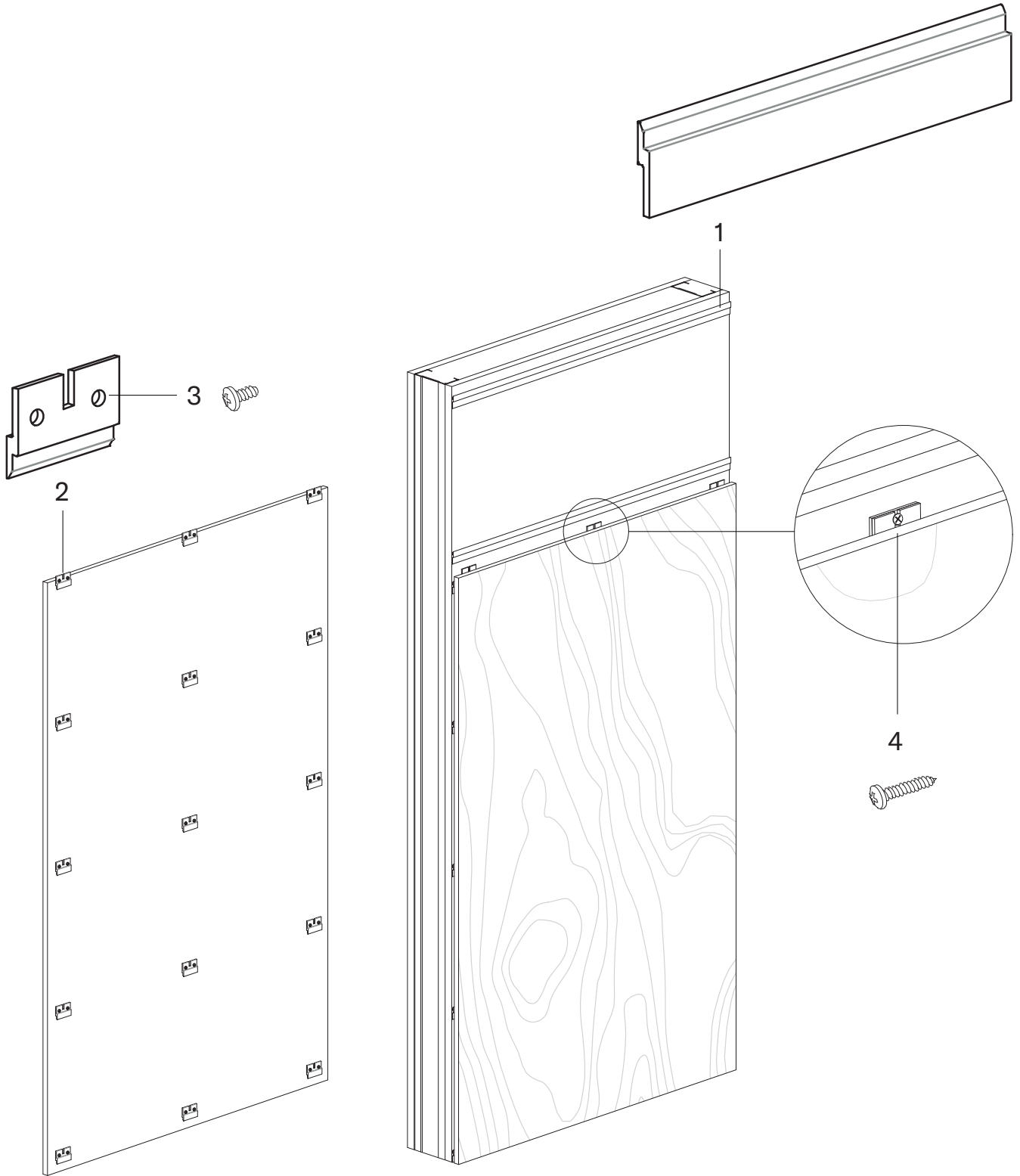
INTERIOR HANGING HOOK FOR WALLS AND CEILINGS METALLIC SUBFRAME

- 1. Interior Hanging Rail 10
- 2. Interior Hanging Hook for W&C
- 3. Screw M3X8 Interior Hanging Hook System
- 4. Metal Screw for fixed point DIN 7504N - 3.5x19

Available panel size
96" x 48" | 2440 x 1220mm

Panel thickness \geq 8mm

How to install interior panels by using concealed fastening with interior hanging system



INTERIOR HANGING HOOK FOR WALLS AND CEILINGS WOOD SUBFRAME

1. Interior Hanging Rail 10
2. Interior Hanging Hook for W&C
3. Screw M3X8 Interior Hanging Hook System
4. Wood Screw for fixed point DIN 7505B - 3.5x25

Available panel size
96" x 48" | 2440 x 1220mm

Panel thickness \geq 8mm

