

SIDING SYSTEM
NATURSIDING, NATURSOFFIT-W, NATURHARDPANEL-W

PARKLEX PRODEMA

How to install PARKLEX PRODEMA using siding system

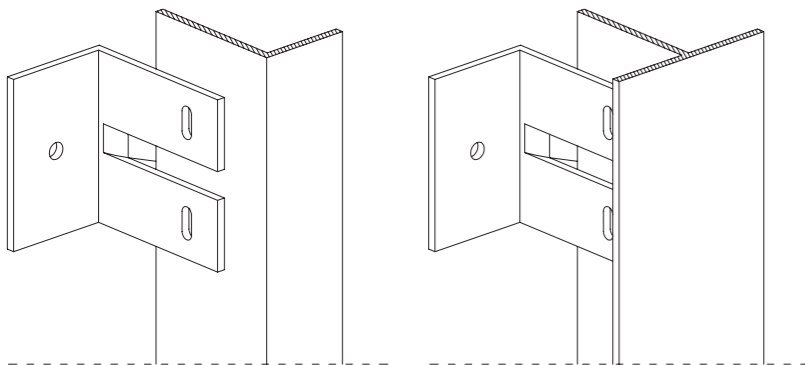
NATURSIDING-W, NATURSIDING-B, NATURSOFFIT-W and NATURHARDPANEL-W panels can be installed by using siding system.

This installation system is valid for installing on to facades, exterior soffits or interior walls and ceilings.

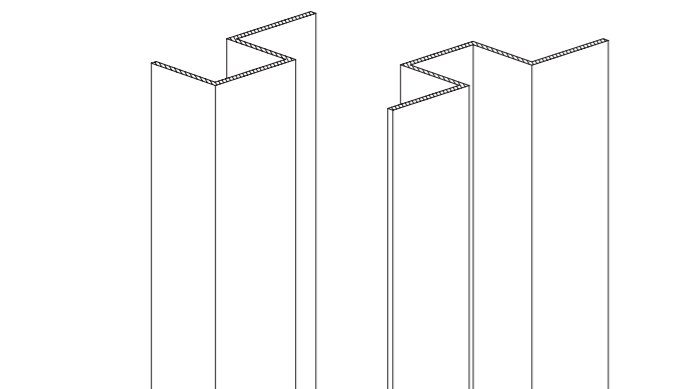
Planks may be installed using horizontal siding system or vertical siding system. The planks are mounted on vertical channels to create a ventilated air chamber behind the panels. In the event that the wall is not perfectly plumb, wall brackets or shims are used to adjust the depth of the channel installation.

Subframe:

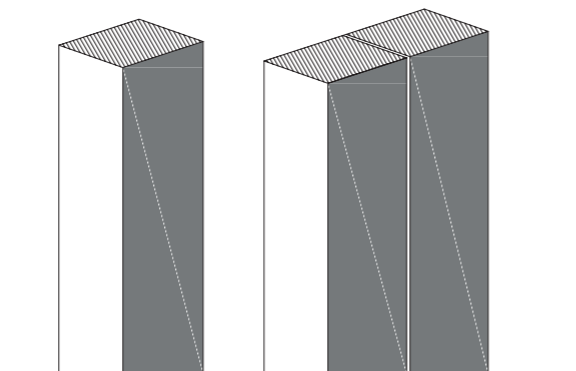
Aluminium Ls, T and wall brackets



Aluminium Js and Hats



Wooden batten



Plank thickness: 8 mm - 5/16"

Plank dimensions:
2440 mm x 86, 136, 188, 290 mm
96" x 3.39", 5.35", 7.40", 11.42"

Dimensions for Boreal, Chestnut and Coffee finishes:
2200 mm x 198, 300 mm
86,6" x 7.80", 11.81"

Planks layout:

| | HORIZONTAL | VERTICAL |
|------------------|------------|----------|
| NATURSIDING-W | ✓ | ✓ |
| NATURSIDING-B | ✓ | ✓ |
| NATURSOFFIT-W | ✓ | ✓ |
| NATURHARDPANEL-W | ✓ | ✓ |

Assembly instructions:

The ventilated facade has several advantages over a conventional facade:

- Permeability: Moving air difuses water vapour from the inside out and facilitates the 'breathing' of the facade, preventing condensation behind the panels.
- Water protection: Moving air provides protection from the elements, because it avoids water filtering the building.
- Thermal insulation: The load-bearing frame is insulated from the exterior subframe, eliminating thermal bridges. In this manner, temperature fluctuations are reduced in the interior, leading to energy savings.
- Solar protection: Thermal confort is improved inside the building by preventing overheating in the summer, as it facilitates 'breathing' of the facade. This reduces the amount of thermal energy that reaches the inside of the building. The internal structure is protected from direct radiation and from the elements
- Acoustic protection: The panels also act as a barrier for acoustic waves reducing the amount of noise coming from the outside, although it doesn't provide acoustic insulation properties.

Ventilation behind the panel is required.

For the installation of panels in ventilated facade mode, the panels are installed on vertical channels, creating an uninterrupted flow of air in the rear part of the panel.

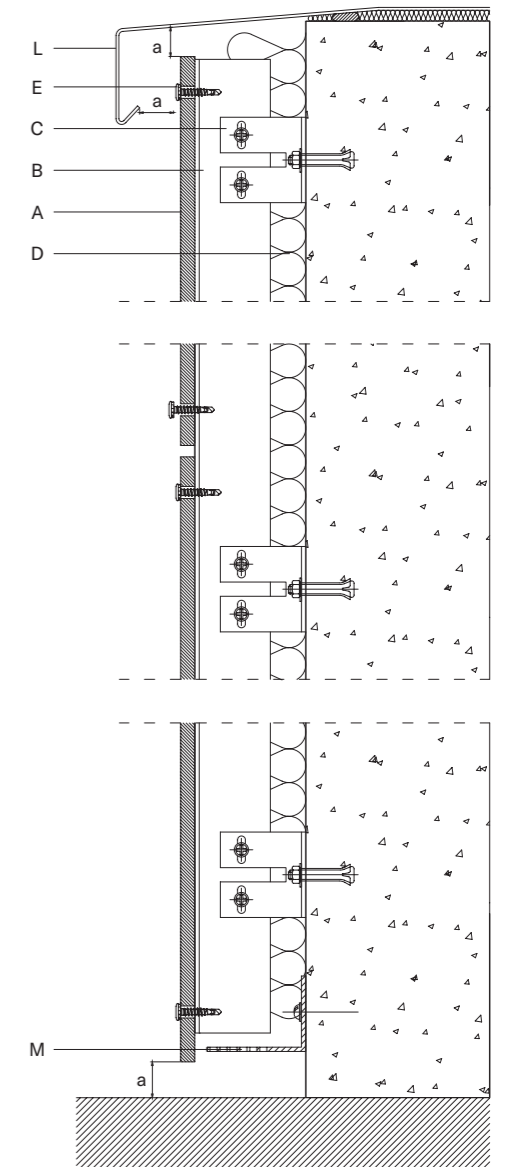
Cladding panels must be installed as a ventilated facade; therefore, they must be separated from the wall with channels, which are installed vertically, forming a chamber with a space of ≥ 20 mm ($3/4$ "), except in those countries with specific technical code requirements. In the event that some type of insulation is installed, a double-channel subframe or a single-channel subframe with adjustable supporting elements must be installed, ensuring that the chamber is maintained. To permit air circulation in the ventilated chamber, the air intake and output must be correctly proportioned.

Head ventilation:

The ventilation at the head of the chamber must be ≥ 20 mm ($3/4$ "). This ventilation space must be left whenever there is an interruption in the face of the cladding panels.

Base ventilation:

The ventilation at the base of the chamber must be ≥ 20 mm ($3/4$ "). This ventilation space must be left whenever there is a new base i.e. if the cladding panels are interrupted by windows or other elements.



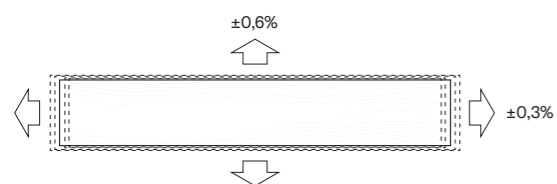
- A. Cladding panel
 - B. Vertical metal channel
 - C. Wall bracket
 - D. Insulation
 - E. Screw
 - L. Metal sheet
 - M. Screen
- a ≥ 20 mm ($3/4$ ") (except for specific code requirements)

How to install PARKLEX PRODEMA using siding system

Dimensional stability:

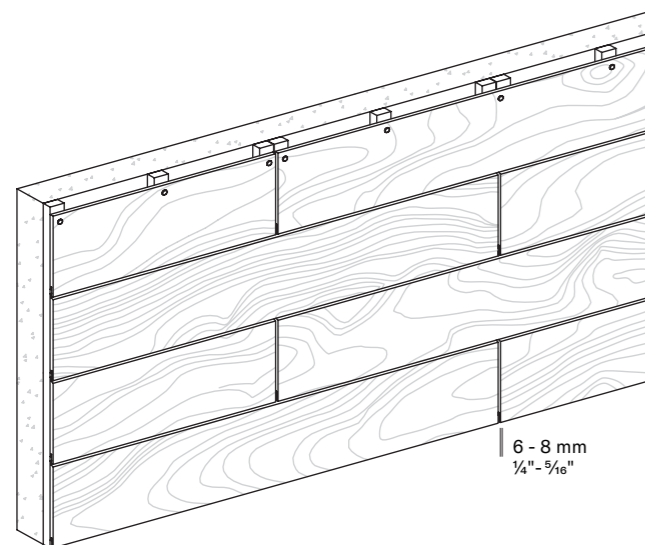
It must be kept in mind that the exterior planks will be exposed to changing seasons over the years, and they are composed of natural wood. Given that wood is a living material which suffers dimensional variations due to changes in humidity and temperature, it is important that the fasteners used are the indicated by PARKLEX PRODEMA, allowing the planks to move and not blocking their expansion and contraction.

All our cladding planks are resistant to vapor, water, snow and ice. However, we do not recommend submerging planks permanently or for extended periods of time.



Expansion joints:

It is necessary to leave expansion joints around the perimeter of all planks to ensure they can absorb any expansion movements. The thickness of these joints depends on the panel dimensions and the facade design. As an example, for panels measuring 2440 x 188 mm (96" x 7.80"), these joints must be at least 6 - 8 mm (1/4" - 5/16"). It is recommended not to seal the joints with flexible materials, as this may lead to an accumulation of dirt around the edges of the planks.

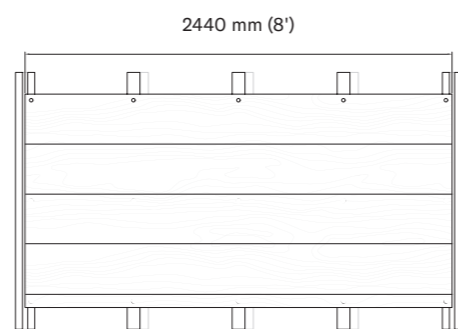


Minimum support points per panel:

For fastening the screws on PARKLEX PRODEMA plank it is required to do predrilled holes on the plank.

Distance between fasteners:

| THICKNESS | MAXIMUM DISTANCE |
|--------------|------------------|
| 8 mm (5/16") | 600 mm (24") |



Four different plank widths are supplied: 86, 136, 188 and 290mm (3.39", 5.35", 7.40", 11.42"), all with a maximum length of 2440 mm (96"). See exceptions for BOREAL, CHESTNUT and COFFEE finishes on page 2.

This concealed fastening system is only valid for thicknesses of 8 mm (5/16").

| PLANK DIMENSIONS | THICKNESS | MAXIMUM DISTANCE |
|---|---------------|----------------------------|
| 2440 x 86, 136, 188, 290 mm 96" x 3.39", 5.35", 7.40", 11.42" | 8 mm 5/16" | 600 mm 24" |
| 2200 x 198, 300 mm 86.6" x 7.80", 11.81" (Chestnut, Boreal and Coffee finishes) | | 450" - 600 mm 18" - 24" |

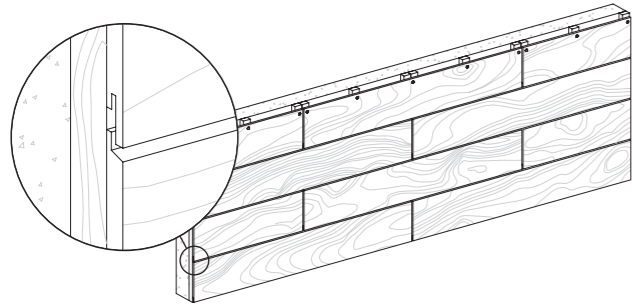
Horizontal siding system:

System components:

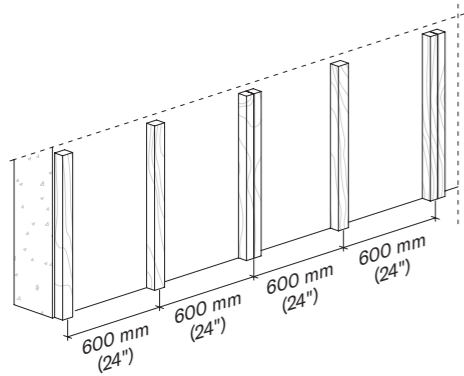
| TYPES OF FASTENERS Installation accessories for siding | |
|---|---|
| Layout | Accessories |
| <p>Horizontal</p> | <p>Fixing Clip</p> <p>BCPA2 screw</p> <p>Nail</p> <p>Gauge Tool</p> |
| | <p>SX3-D12</p> <p>TWS-D12</p> <p>7504N M3,5/L= 19 mm</p> <p>7505B M3,5/L= 25 mm</p> |

How to install PARKLEX PRODEMA using siding system

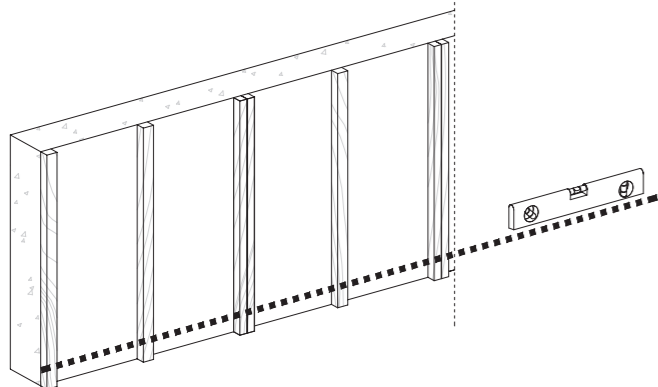
The following procedure is used for installing siding planks horizontally.



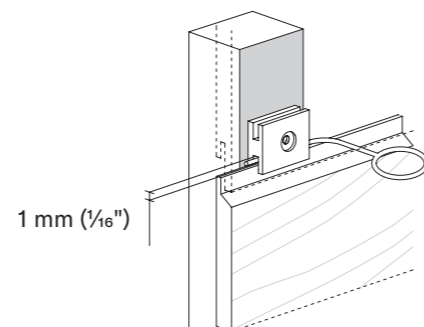
The planks require supporting points every 600 mm (24"). For pieces between 300 to 600 mm (12"-24") a third supporting point in the middle is needed. Pieces shorter than 300 mm (12") only need two supporting points.



The facade must be installed from the bottom to the top and the subframe must be totally plumb to avoid the panel acquire the imperfection of the facade.

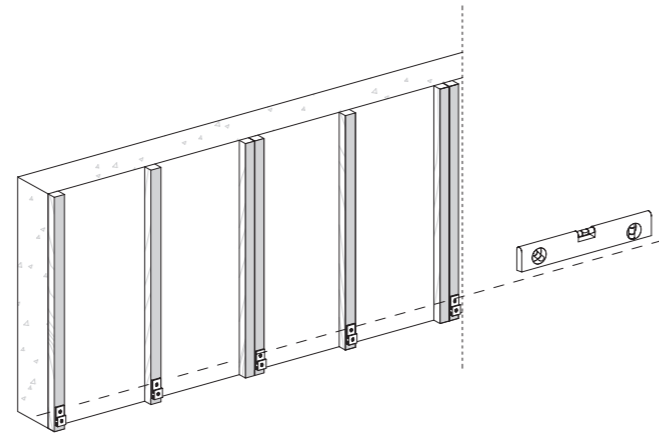


Install the first row of fixing clips at the bottom. The first clip should be placed facing up.

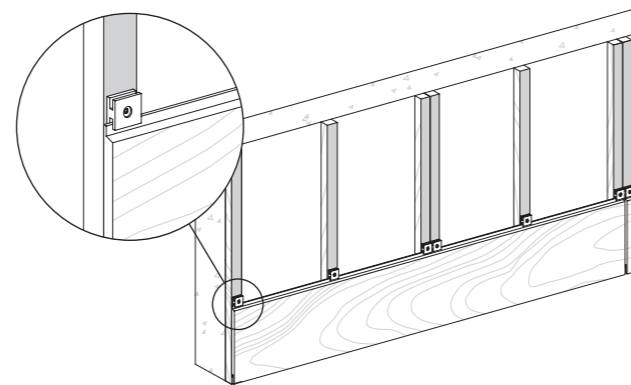


Use the spirit level to get the perfect alignment of the first row of the fixing clips. See picture of the first row below.

Once the first row of fixing clips has been installed, add the first row of machined planks. The groove in the plank fits into the fixing clip. Once the first row of planks

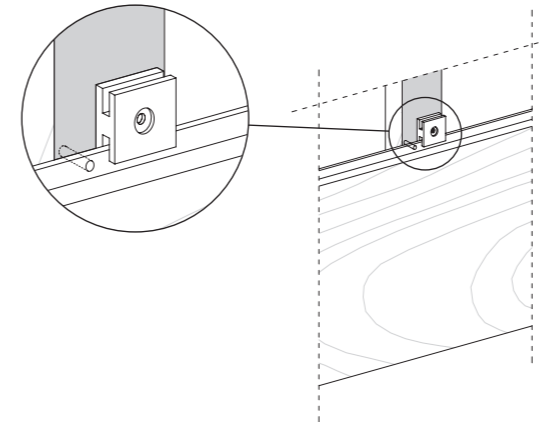


is installed, place the second fixing clip row on the machined edge at the top of the plank. The second fixing clip should be installed upside down, see image below.

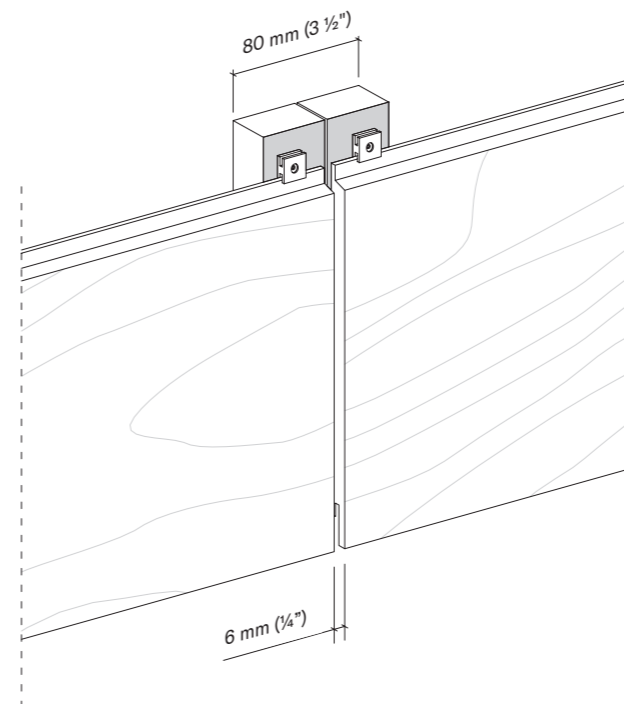


Keep a 1 mm (1/16") distance between the fixing clip and the plank to allow the contraction and expansion of the plank. Use the gap gauge tool for this task.

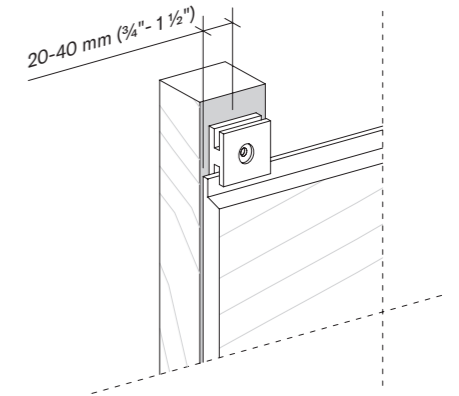
Every plank needs a fixed point, in order to avoid the plank sliding horizontally. In case of wooden subframe use a wooden nail and in case of metal subframe use a BCPA2 screw. This screw or nail should be placed in the center of the plank, so that the expansion/contraction of the material is under control. First, predrill the groove in the center of the plank.



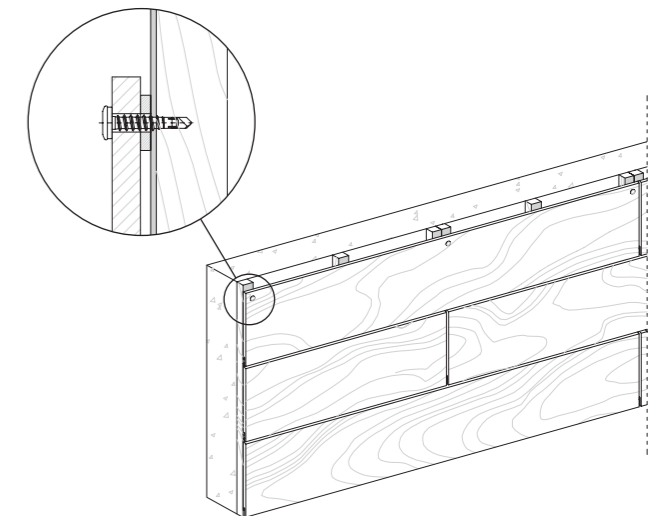
A joint of 6 mm (1/4") must be kept between planks placed in the same row. Two fixing clips are necessary to do the joint between panels, so the supporting point behind the joints should be at least 80 mm (3 1/2") wide.



Leave between 20 mm-40 mm (3/4"- 1 1/2") distance from the center of the fixing clip to the edge of the panel.

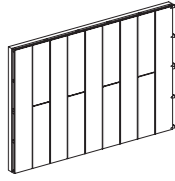
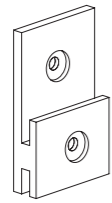
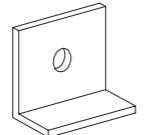
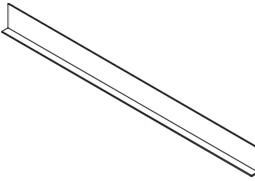


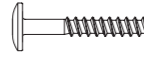




Place the following plank rows one on top of the other. Finally, fix the last row of planks in place using TWS (in case of wooden subframe) or SX3 (in case of metallic subframe) PARKLEX PRODEMA lacquered screws. To ensure the last plank is totally flat, place a 4 mm (5/32") washer behind the top panel or a 4 mm (5/32") thick EPDM tape.

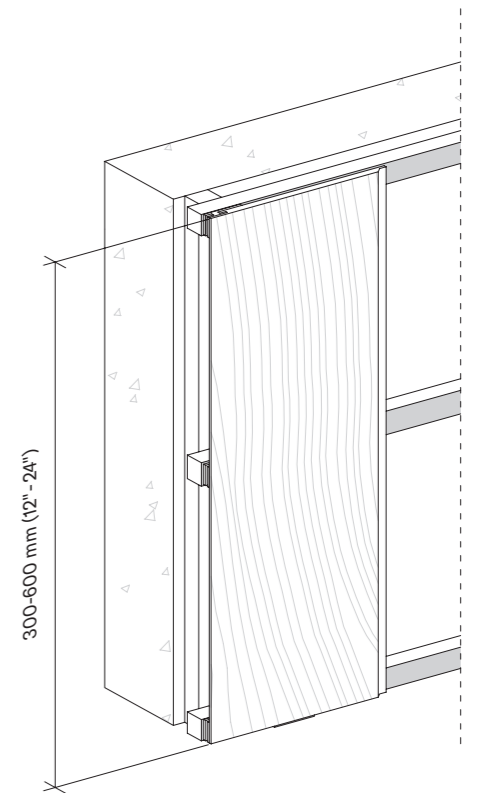
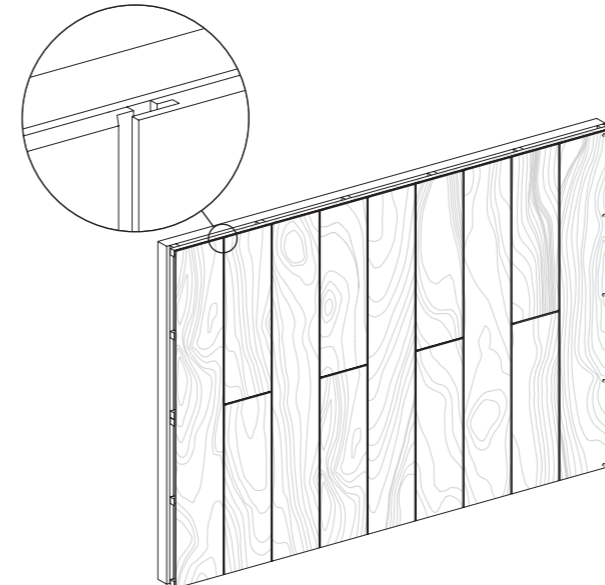


Vertical siding system:

System components:

| TYPES OF FASTENERS Installation accessories for Siding | |
|---|--|
| Layout | Accessories |
|  <p>Vertical</p> | <div style="display: flex; justify-content: space-around; align-items: flex-start;"> <div style="text-align: center;">  <p>Fixing Clip</p> </div> <div style="text-align: center;">  <p>L20X10 Stopper Piece</p> </div> <div style="text-align: center;">  <p>L20X10 Stopper Rail</p> </div> <div style="text-align: center;">  <p>Gauge Tool</p> </div> </div> <div style="display: flex; justify-content: space-around; align-items: center; margin-top: 10px;"> <div style="text-align: center;">  <p>SX3-D12</p> </div> <div style="text-align: center;">  <p>TWS-D12</p> </div> <div style="text-align: center;">  <p>7504N M3,5/L= 19 mm</p> </div> <div style="text-align: center;">  <p>7505B M3,5/L= 25 mm</p> </div> </div> |

Siding can be also easily installed vertically following almost the same procedure as horizontal installation. See below the procedure:

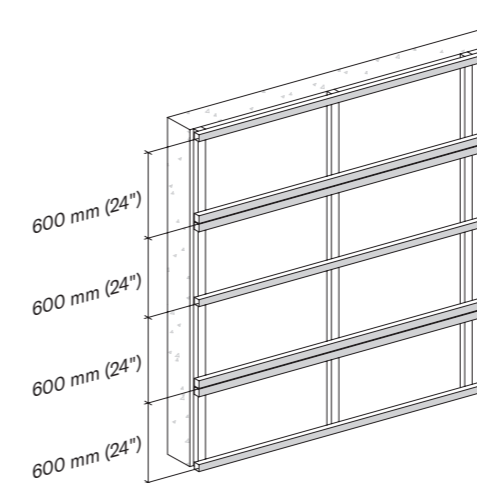
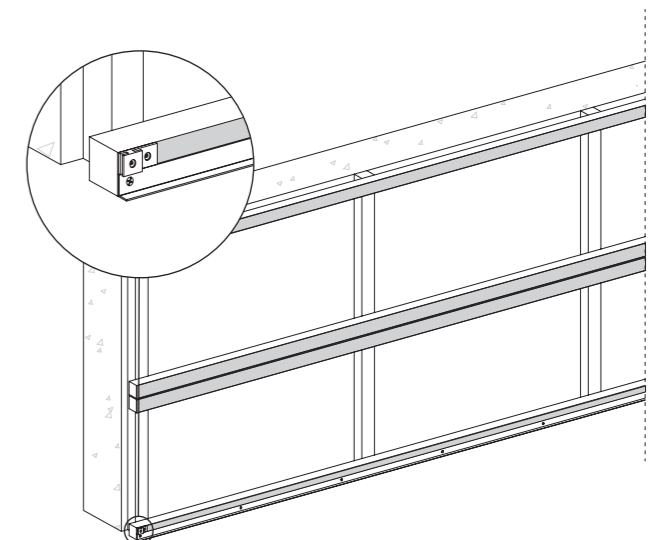


Fixing clip and stopper piece installation:

Vertical siding requires a ventilated air chamber of 20 mm (3/4"), and for that, a double subframe might be necessary. The double subframe consists of a primary vertical subframe and a secondary horizontal subframe. The primary vertical subframe must be fixed to the supporting wall, and the secondary horizontal subframe to the primary vertical channels. When using aluminum L and T shape subframes, horizontal wall brackets can be used in order to create a 20 mm (3/4") ventilated air chamber behind the panel.

The use of a L20X10 stopper rail is needed to ensure that the siding plank keeps its position. Use a spirit level to ensure a perfect alignment. Install the first column of fixing clips at the side. The first fixing clip should be placed facing up and perfectly levelled by using a spirit level.

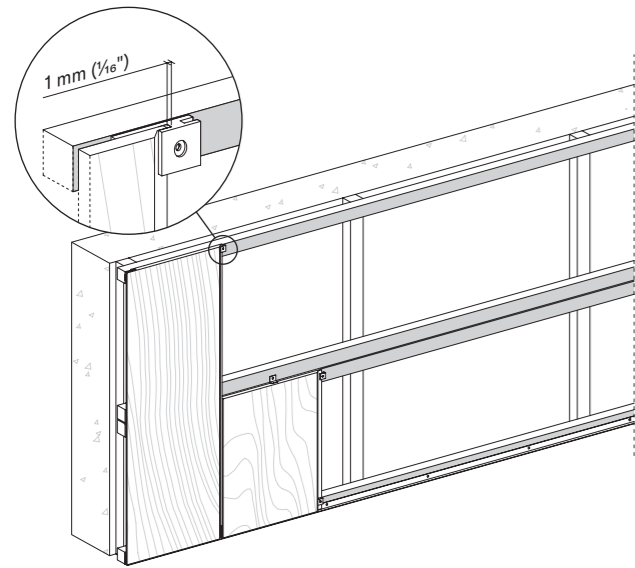
The planks require supporting points every 600 mm (24"). For pieces between 300 to 600 mm (12"-24") a third supporting point in the middle is needed. Pieces shorter than 300 mm (12") only need two supporting points.



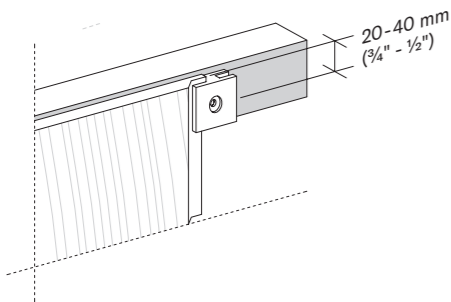
Once the first row of fixing clips has been installed, install the first column of machined planks. The groove in the plank fits into the fixing clip. Once the first column of planks is installed, place the second fixing clip column on the machined edge at the top of the plank. The second fixing clip row should be installed upside down.

How to install PARKLEX PRODEMA using siding system

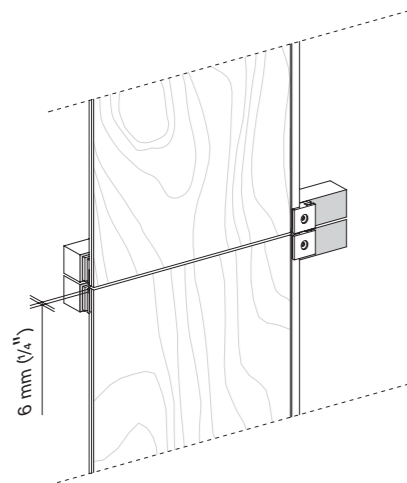
The second plank must be installed keeping a 1 mm (1/16") distance between the fixing clip and the plank to allow the contraction and expansion of the material. Use the gap gauge tool for this task.



Leave between 20 mm - 40 mm (3/4"-1 1/2") distance from the center of the fixing clip to the edge of the panel.

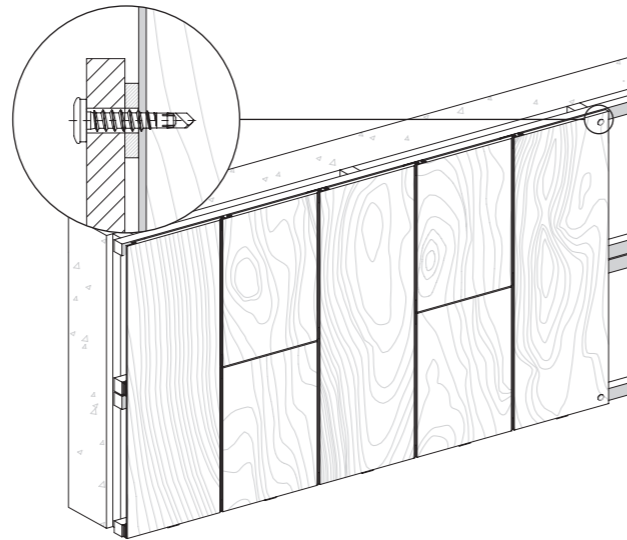


A joint of 6 mm (1/4") must be kept between planks placed in the same row. Two fixing clips are necessary to do the joint between panels, so the supporting point behind the joints should be at least 80 mm (3 1/2") wide.

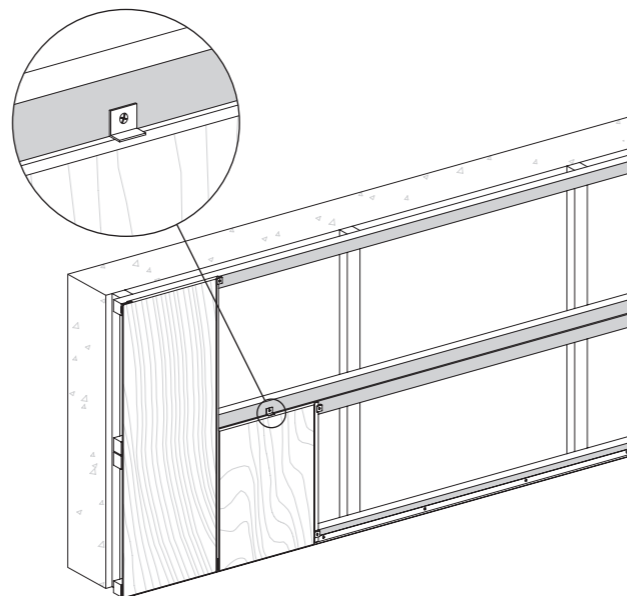


Place the planks one next to the other.

Finally, fix the last row of planks with PARKLEX PRODEMA lacquered screws. To ensure the last plank is flat, place a 4 mm (5/32") washer or EPDM tape behind the top panel.



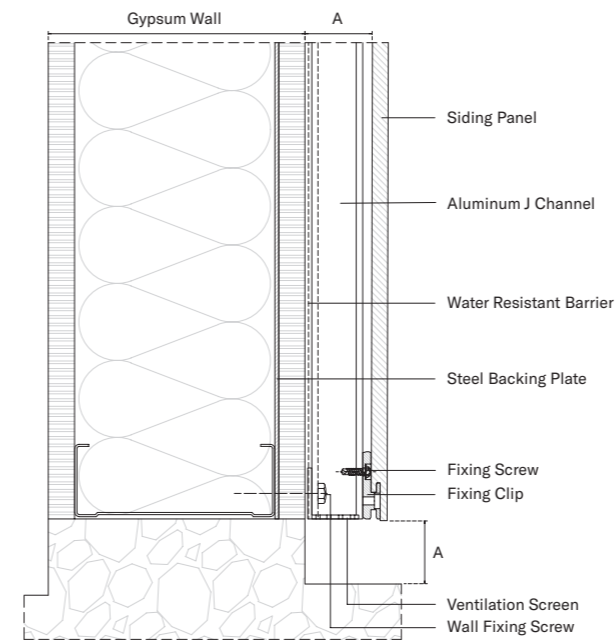
Every plank needs a fixed point to avoid the piece from moving vertically. In order to do so, placing an L20X10 stopper piece below every plank is required. This element creates a fixing point in every piece and avoids them from sliding downwards. Use a DIN 7505B screw to fasten the stopper piece to a wooden substructure, and a DIN 7504N to fasten it to a metal one.



Installation details:

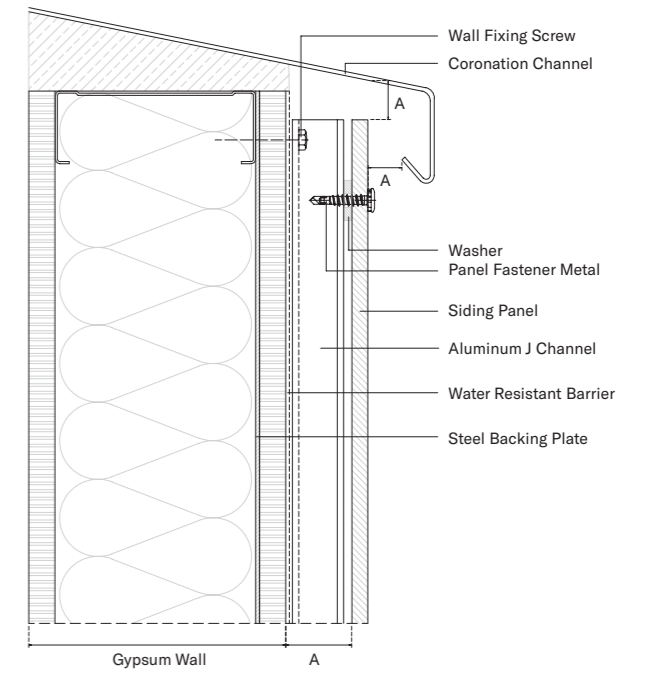
PARKLEX PRODEMA has an extensive range of solutions showing all types of installation details to address corners, windows, etc. All of these details are available on the Technical Area of the PARKLEX PRODEMA website.

BASE DETAIL



A > 20 mm (3/4")

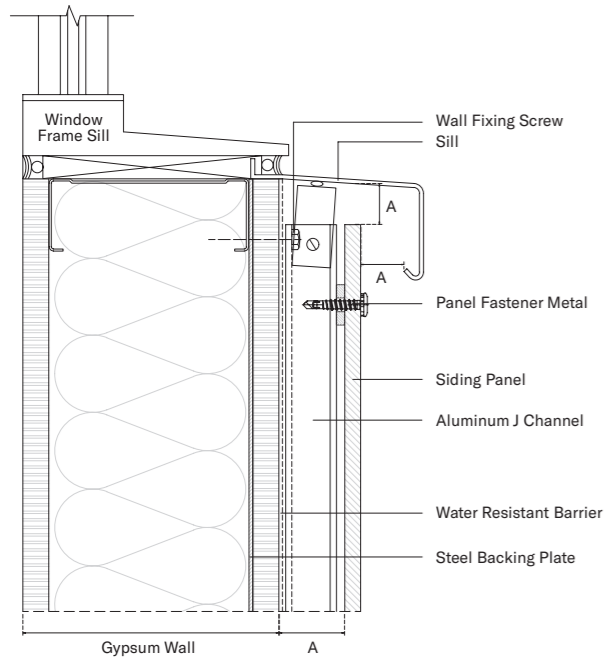
HEAD DETAIL



A > 20 mm (3/4")

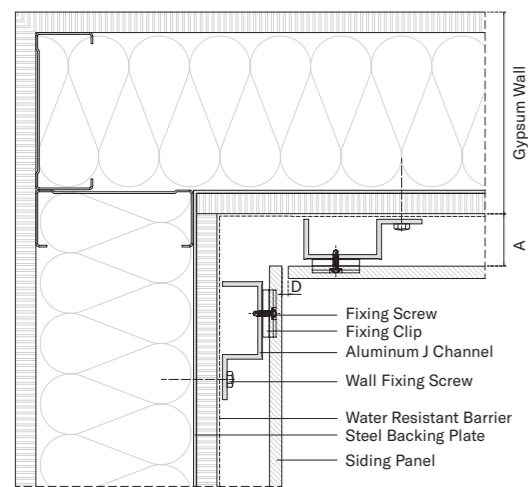
How to install PARKLEX PRODEMA using siding system

WINDOW SILL



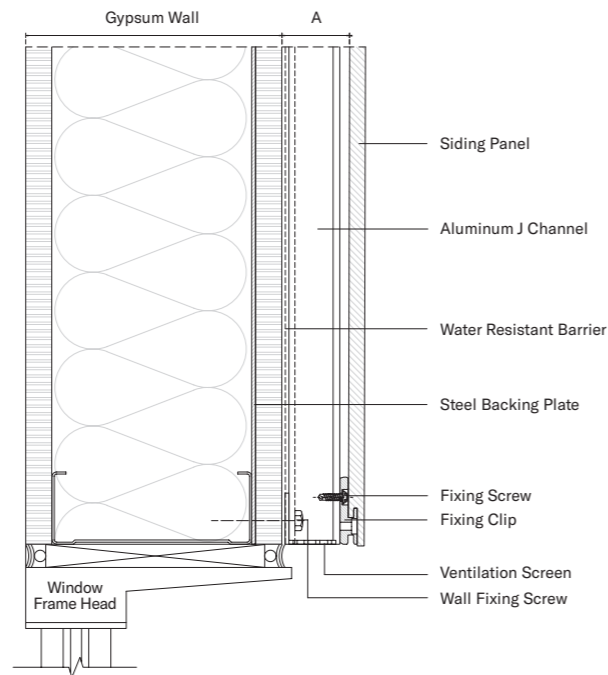
A > 20 mm (3/4")

INSIDE CORNER

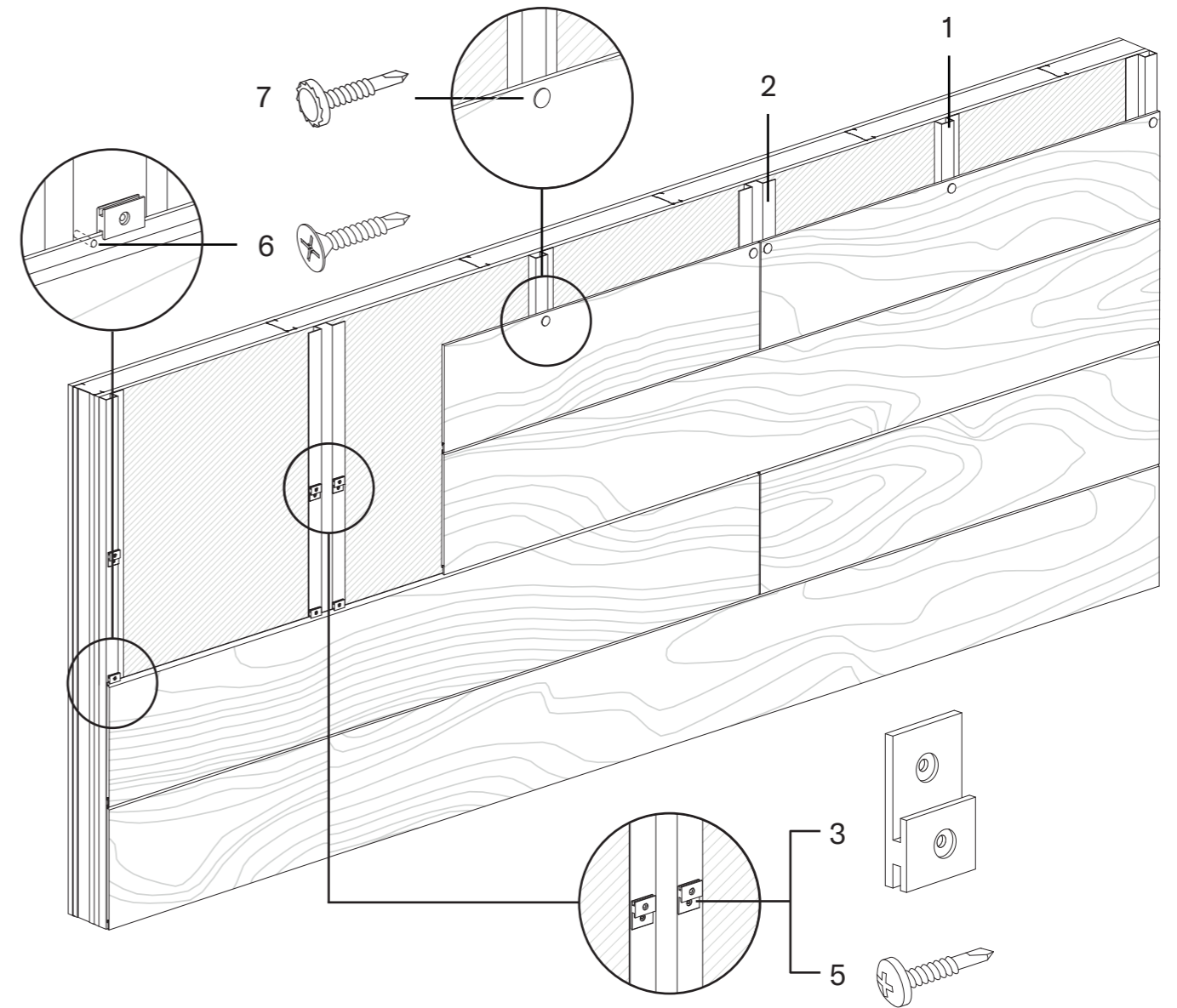
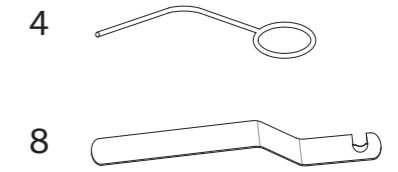
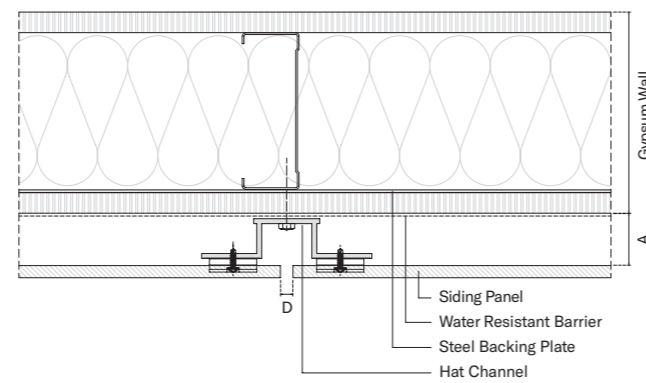


A > 20 mm (3/4")
D > 6 mm (1/4")

WINDOW HEAD



VERTICAL JOINT



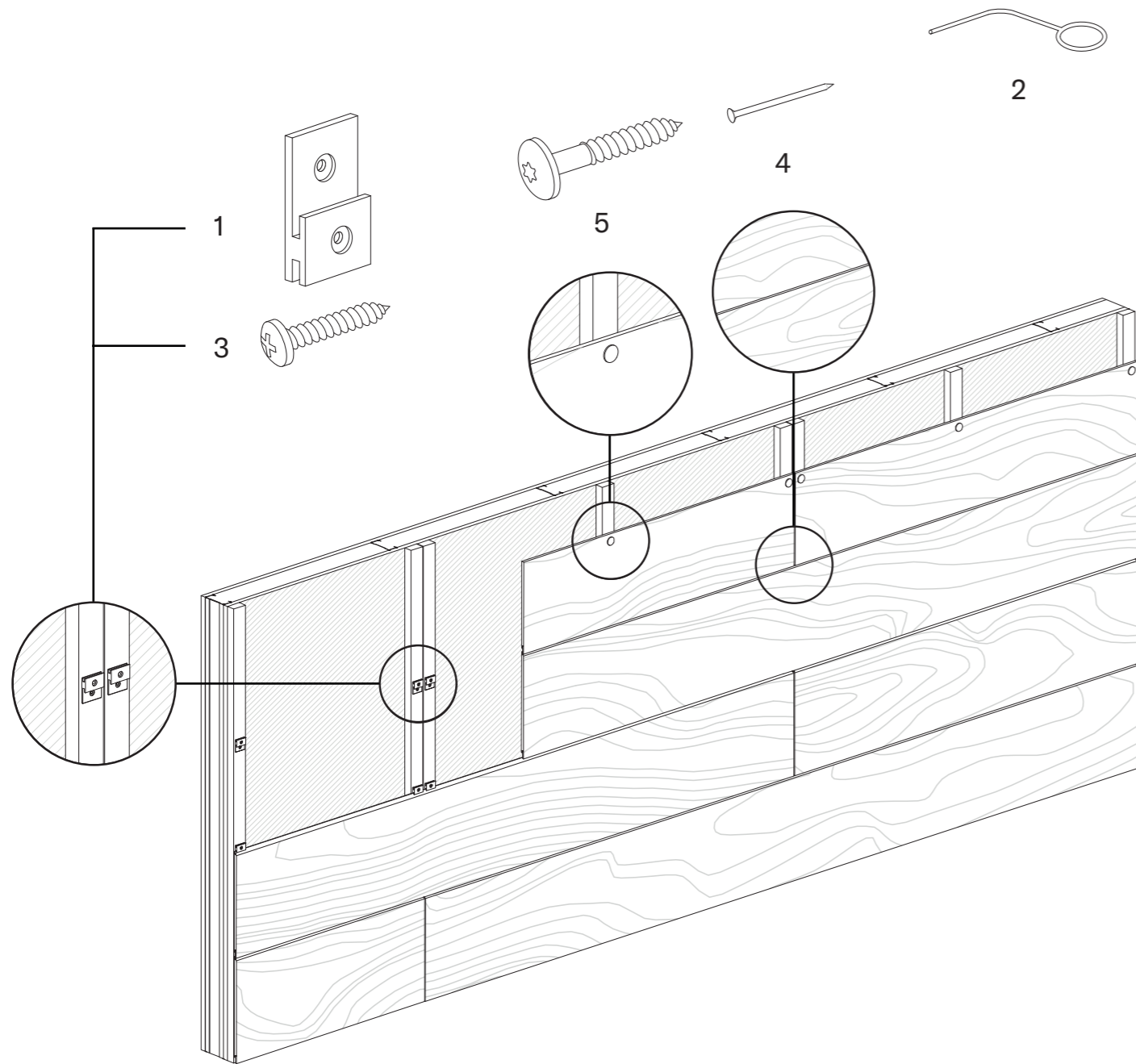
HORIZONTAL SIDING
JAYS AND HATS

1. J Profile : 10' Aluminum
2. Hat Profile: 10' Aluminum
3. Fixing Clip
4. Gap Gauge Tool
5. Metal Screw for Fixing Clip DIN 7504
6. Fixed Point Screw (metal) BCPA2-4,2x23mm
7. SX3 15-D12-5 TORX Screws for Metal - Painted
8. Centering Device for SX3 Screws

Available panel size:
2440 mm x 86, 136, 188, 290 mm
96" x 3.39", 5.35", 7.40", 11.42"

Boreal, Chestnut and Coffee:
2200 mm x 198, 300 mm / 86,6" x 7.80", 11.81"

Panel thickness: 8mm



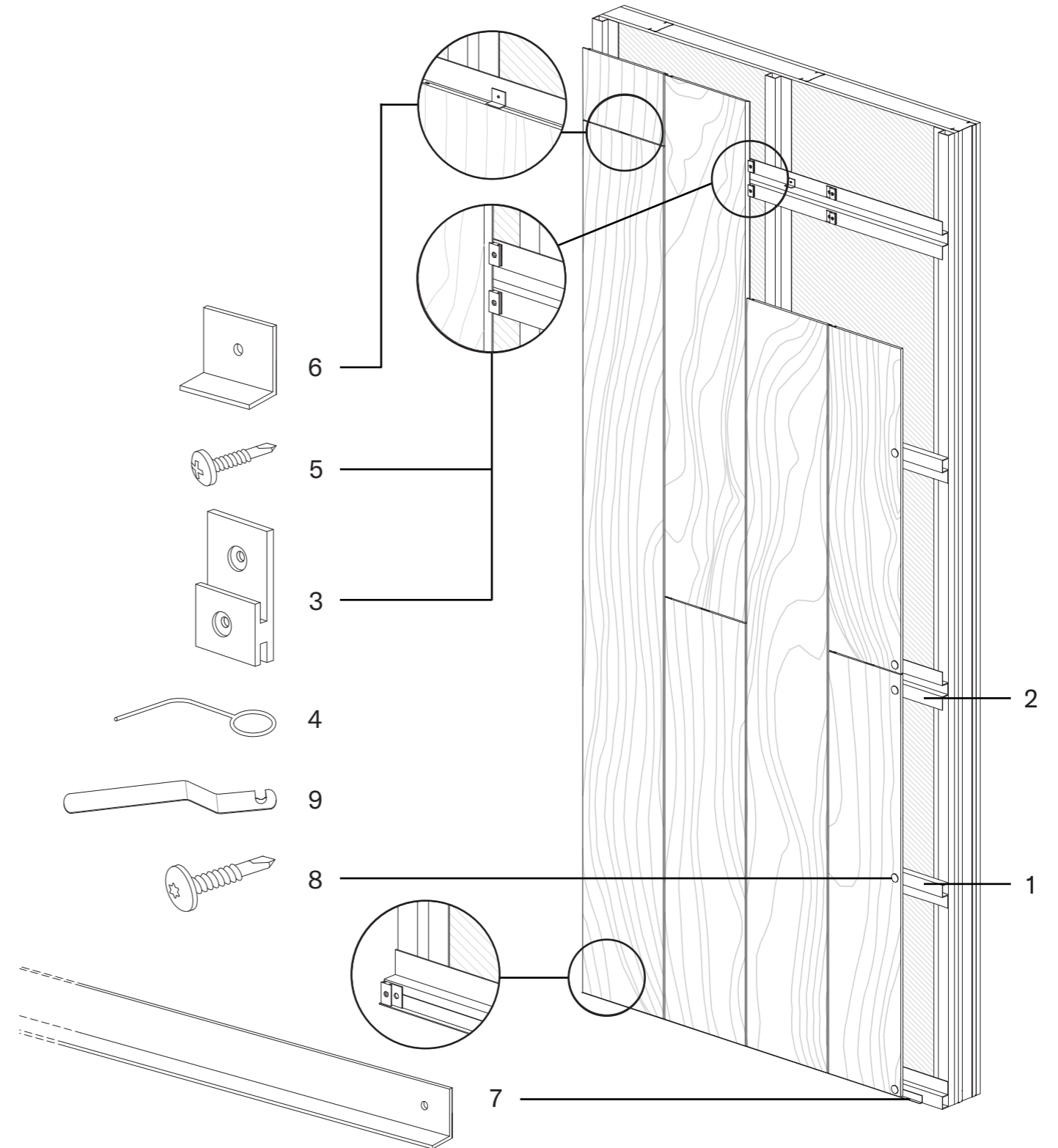
**HORIZONTAL SIDING
WOOD SUBFRAME**

1. Fixing Clip
2. Gap Gauge Tool
3. Wood Screw for Fixing Clip DIN 7505
4. Fixed Point Nail (Wood) d:2mm/L:20mm
5. TW-S D12-4 Screw for Wood - Painted

Available panel size:
2440 mm x 86, 136, 188, 290 mm
96" x 3.39", 5.35", 7.40", 11.42"

Boreal, Chestnut and Coffee:
2200 mm x 198, 300 mm / 86,6" x 7.80", 11.81"

Panel thickness: 8mm



**VERTICAL SIDING
JAYS AND HATS**

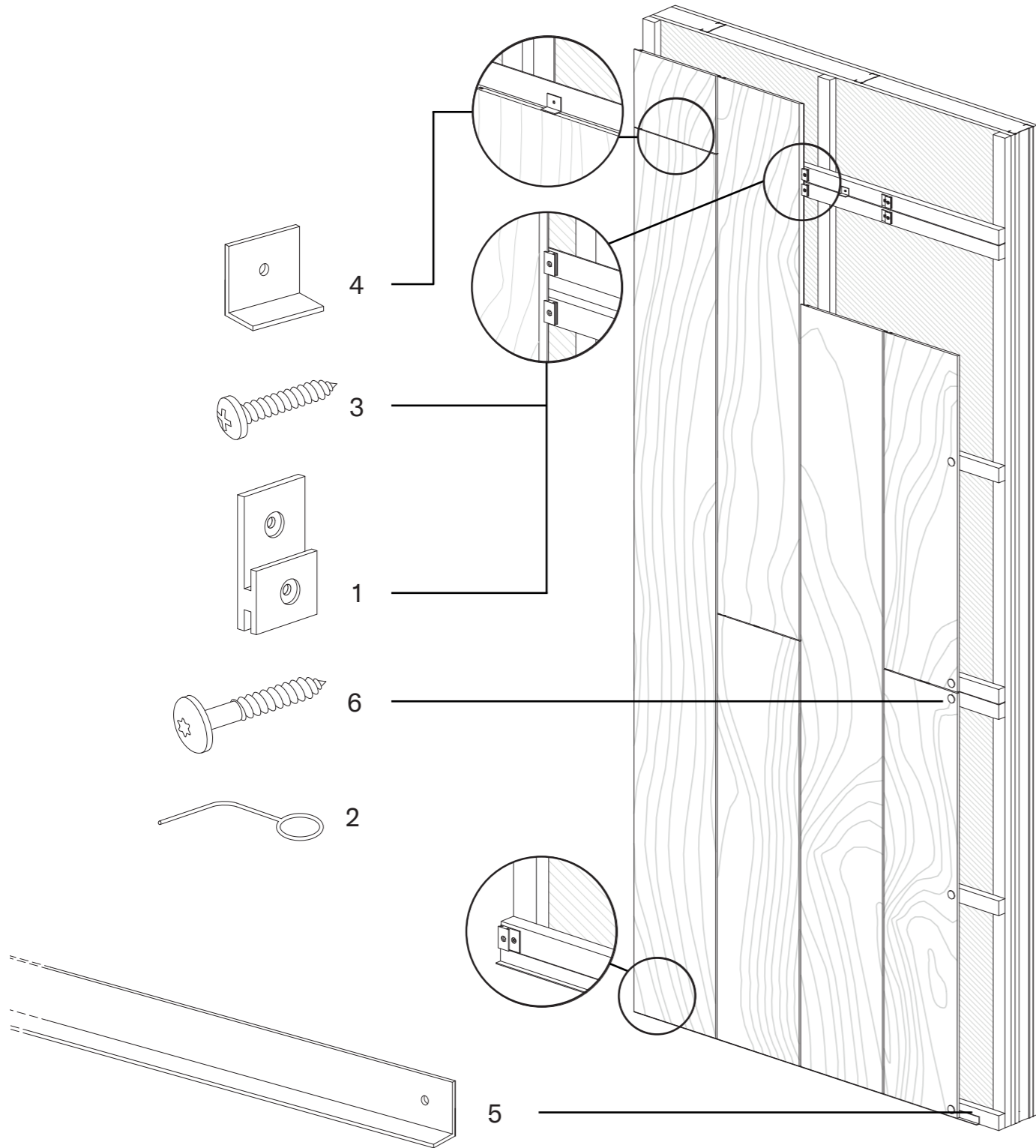
1. J Profile : 10' Aluminum
2. Hat Profile: 10' Aluminum
3. Fixing Clip
4. Gap Gauge Tool
5. Metal Screw for Fixing Clip DIN 7504
6. L 20x10 Black Stopper - Vertical Applications
7. L Profile Stopper 3.25m - Vertical Applications
8. SX3 15-D12-5 TORX Screws for Metal - Painte
9. Centering Device for SX3 Screws

Available panel size:
2440 mm x 86, 136, 188, 290 mm
96" x 3.39", 5.35", 7.40", 11.42"

Boreal, Chestnut and Coffee:
2200 mm x 198, 300 mm / 86,6" x 7.80", 11.81"

Panel thickness: 8mm

How to install PARKLEX PRODEMA using siding system



VERTICAL SIDING
WOOD SUBFRAME

1. Fixing Clip
2. Gap Gauge Tool
3. Wood Screw for Fixing Clip DIN 7505
4. L 20x10 Black Stopper - Vertical Applications
5. L Profile Stopper 3.25m - Vertical Applications
6. TW-S D12-4 Screws for Wood - Painted

Available panel size:
2440 mm x 86, 136, 188, 290 mm
96" x 3.39", 5.35", 7.40", 11.42"

Boreal, Chestnut and Coffee:
2200 mm x 198, 300 mm / 86,6" x 7.80", 11.81"

Panel thickness: 8mm

WWW.PARKLEXPRODEMA.COM