

**CONCEALED FASTENING WITH INTERIOR HANGING SYSTEM  
NATURPANEL-W, NATURHARDPANEL-W**

**PARKLEX PRODEMA**

## How to install interior panels by using concealed fastening with interior hanging system

NATURPANEL-W and NATURHARDPANEL-W panels can be installed by using concealed fastening with interior hanging system.

This installation system is removable and it can be installed on wood or a metallic subframe, and can be applied to interior walls and ceilings.

In the event that the wall is not perfectly plumb, wall brackets or shims are used to adjust the depth of the channel installation.

### Panel thicknesses:

	8mm	10mm	11mm
NATURPANEL-W	√		√
NATURHARDPANEL-W	√	√	

### Panel dimensions:

2440 x 1220 mm (8' x 4')

2700 x 1220 mm (8.86' x 4') upon request

### Panel layout:

	HORIZONTAL	VERTICAL
NATURPANEL-W	√	√
NATURHARDPANEL-W	√	√

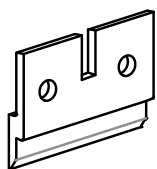
## How to install interior panels by using concealed fastening with interior hanging system

### System Components:

### Recommended installation tools

---

Interior hanging hook



Screw M3X8



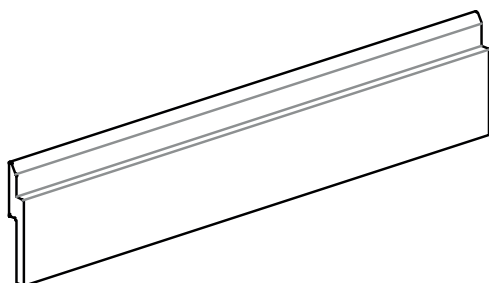
Metal Screw for fixed point DIN 7504N



Wood Screw for fixed point DIN 7505B



Interior Hanging Rail

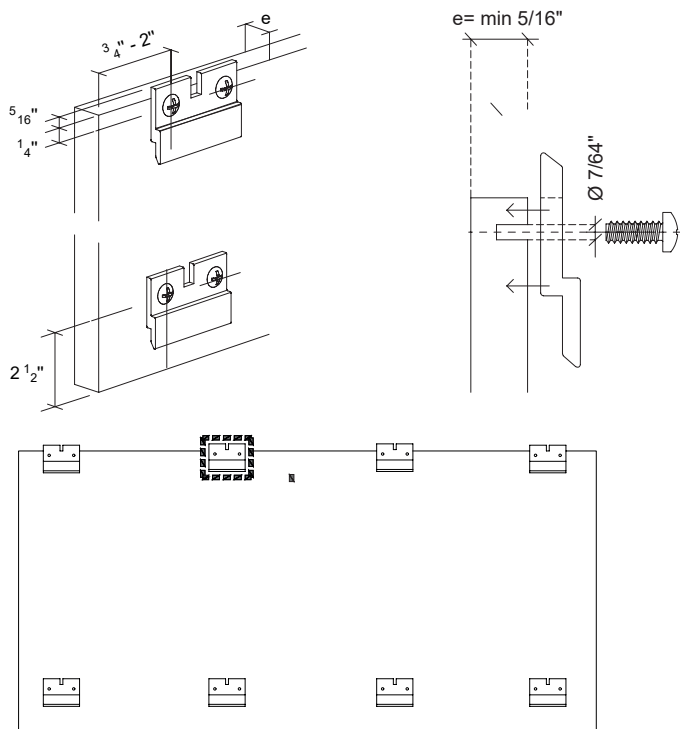


## How to install interior panels by using concealed fastening with interior hanging system

This system is suitable for the installation of panels on walls and ceilings. However, it is important to pay attention to the installation on ceilings, where one of the pieces must be secured with screws.

### On ceilings

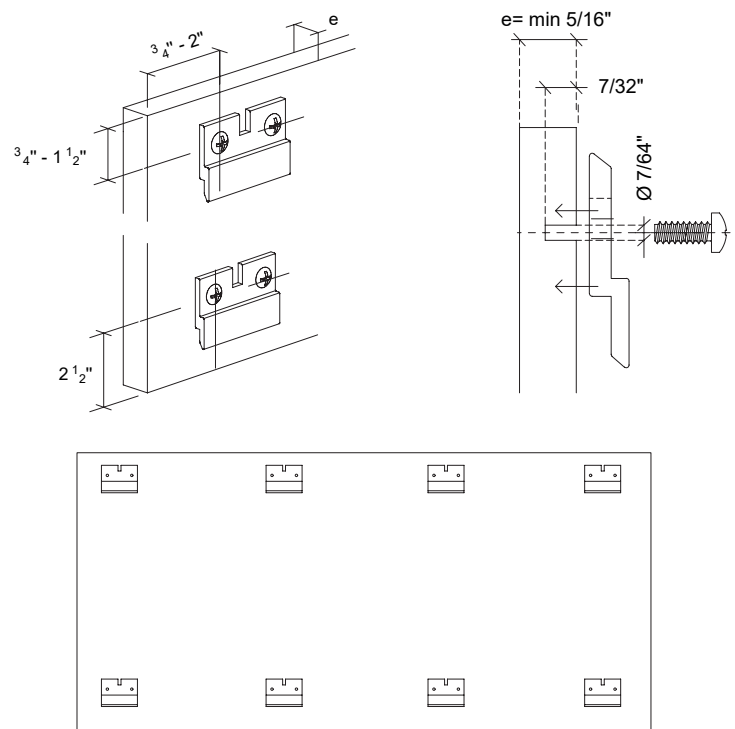
PARKLEX PRODEMA recommends to fasten the hooks at the back subframe when panels are to be installed on ceilings so it prevents pieces from falling down. This can only be achieved by placing the hooks at the edge of the panel, as shown on the image below.



At least one fixed point per panel

### On walls

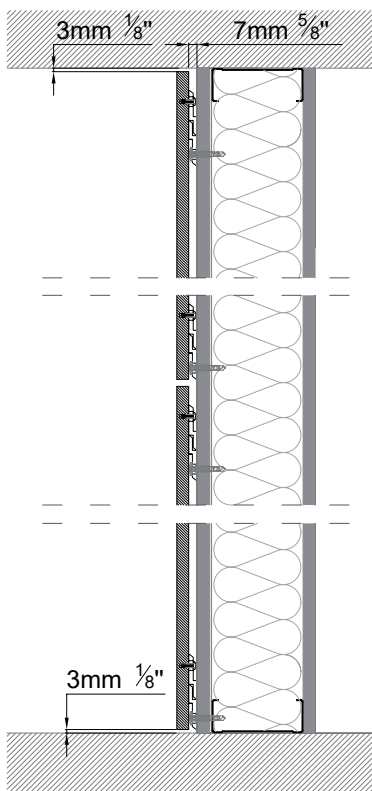
On walls the hooks can be placed either at the edge or on the inner part of the panel, as shown on the image below.



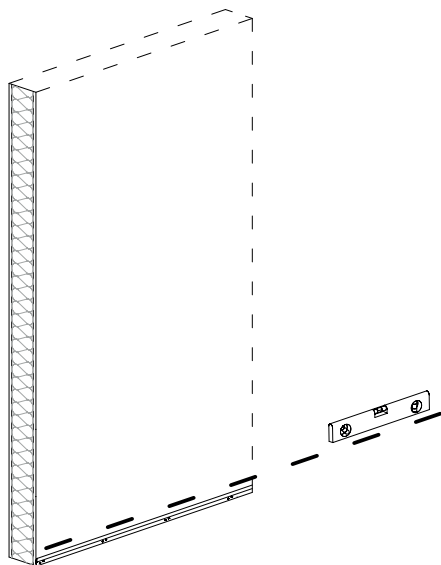
## How to install interior panels by using concealed fastening with interior hanging system

### Interior hanging system for walls:

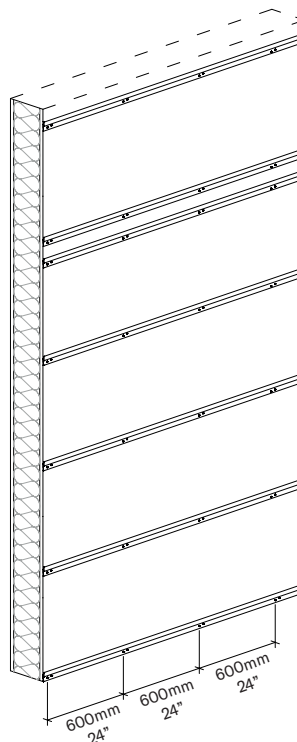
1. The horizontal rails must be installed on the wall or a wooden or a metallic substructure. The substructure must be totally aligned to avoid the panel reflects the imperfections of the supporting wall.



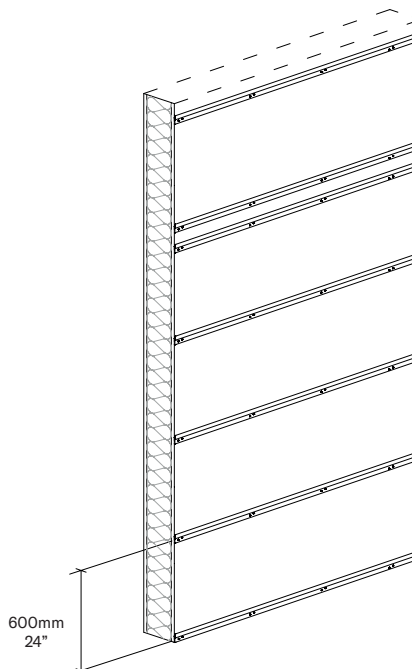
2. Rails are made of aluminum and black lacquered, and must be always installed horizontally. It is important to ensure a correct alignment of the substructure and the hanging rails on the supporting element.



3. The hanging guides must be fixed every 600mm (24") max. to the supporting element. The maximum cantilever of the horizontal hanging rails must be controlled to maintain their rigidity; the maximum cantilever distance is 100mm (4").

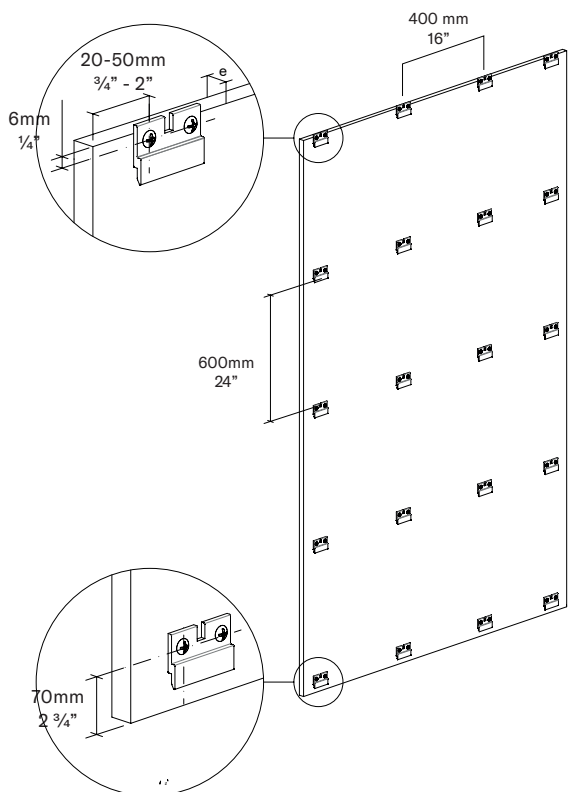


4. In general terms, rails must be placed every 600mm (24"), and hooks every 400mm (16") along the rail. Note that pieces which are between 300mm - 600mm (12"-24") require a third supporting point, so in these cases hooks and rails might require to be installed closer.

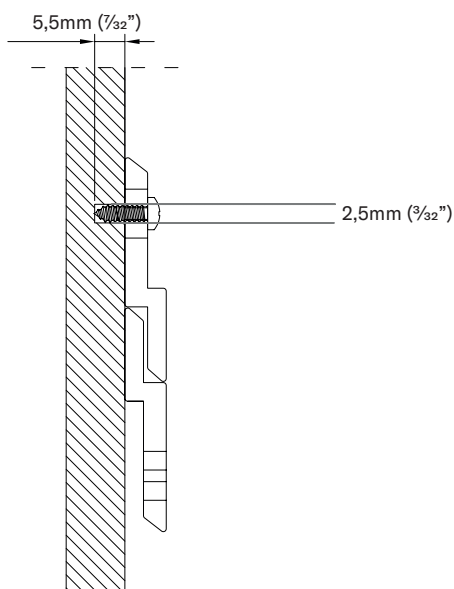


How to install interior panels by using concealed fastening with interior hanging system

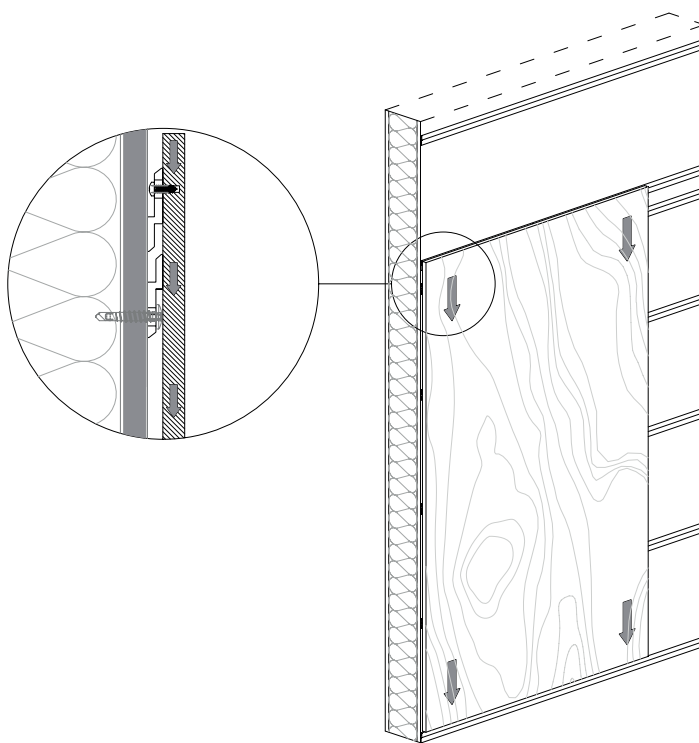
5. Place the interior hooks on the back of the panel according to the hanging rails' position and the recommended maximum distance depending on the thickness of the chosen panel. Keep the following distances from the interior hook to the edge of the panel.



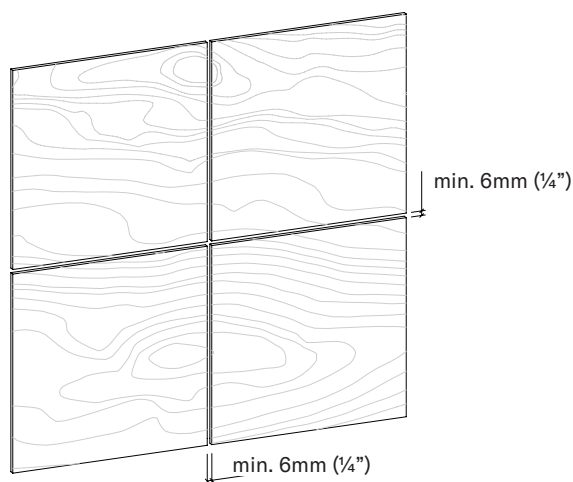
6. Predrill the backside of the panel with a diameter of 2.5mm (3/32") depth of 5.5mm (7/32"). After doing the predrilling, remove the remaining shavings from the hole. Use the panel screw DIN7981 type F d: 3mm and L: 8mm screw to fix the interior hooks to the panel.



7. Start installing the panels from the bottom to the top of the wall. Once the hooks are installed, place the interior hooks on the hanging rails. Add a piece of EPDM tape between one hook and the hanging rails to block the horizontal movement of the panel.



8. Leave a joint of 6mm/1/4" between the panels to allow the material's contraction and expansion movements.



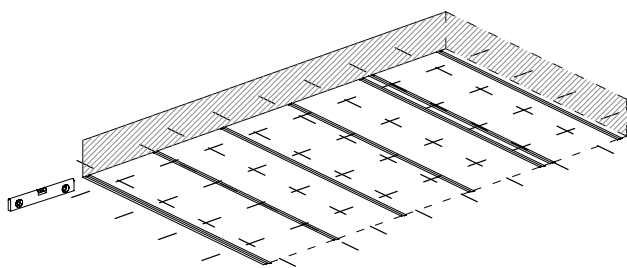
Panels can be removed by unhooking the panel, starting from the top of the wall and going down after.

## How to install interior panels by using concealed fastening with interior hanging system

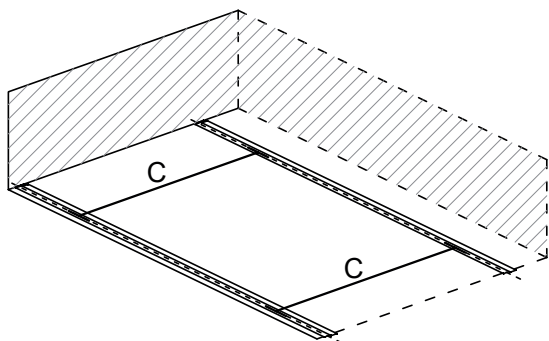
### Interior hanging system for ceilings:

The horizontal rails can be installed directly on the ceiling or a wooden or a metallic subframe. The subframe/ceiling behind must be totally aligned to avoid the panel copies the imperfections of the supporting surface.

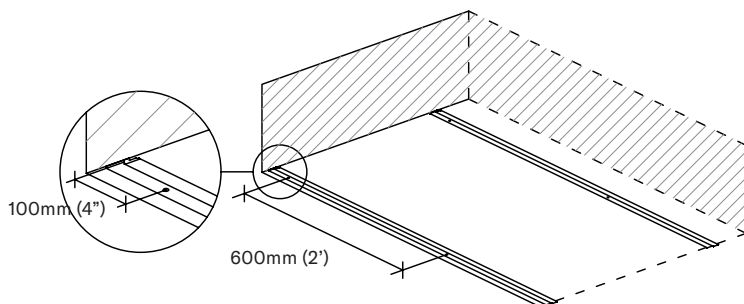
Guides are aluminum made and black lacquered, and must be always installed horizontally. It is important to ensure a correct alignment of the subframe and the hanging rails on the supporting element.



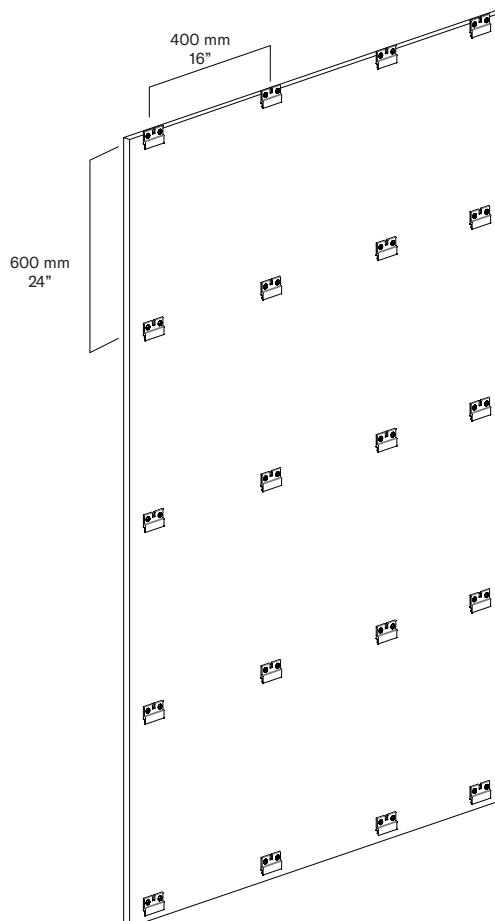
1. The hanging rails must be fixed every 24"/600mm to the supporting element. The maximum cantilever of the horizontal hanging rails must be controlled to maintain their rigidity.



2. The maximum cantilever distance is 4" (100mm).

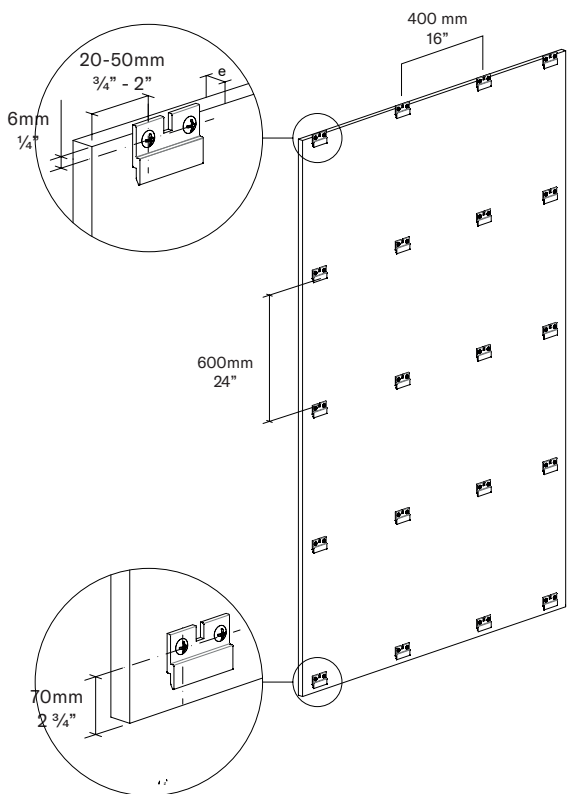


3. In general terms, rails must be placed every 600mm (24"), and hooks every 400mm (16") along the rail. Note that pieces which are between 300mm - 600mm (12"-24") require a third supporting point, so in these cases hooks and rails might require to be installed closer.

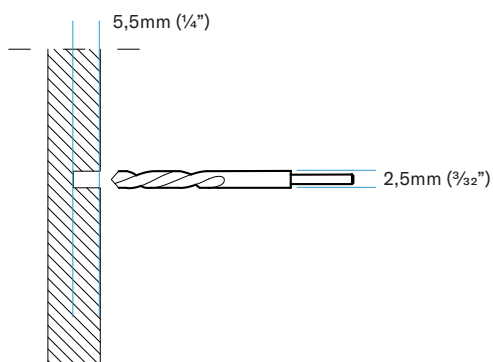


How to install interior panels by using concealed fastening with interior hanging system

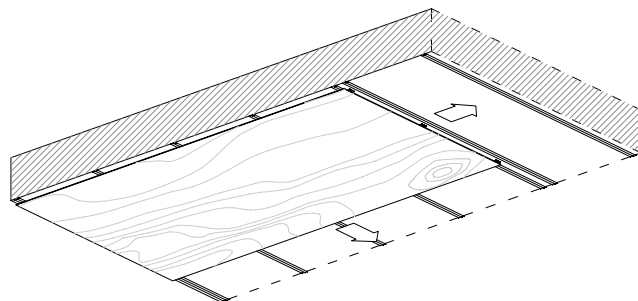
4. Place the interior hooks on the back of the panel according to the hanging rails' position and the recommended maximum distance to the edge of the panel.



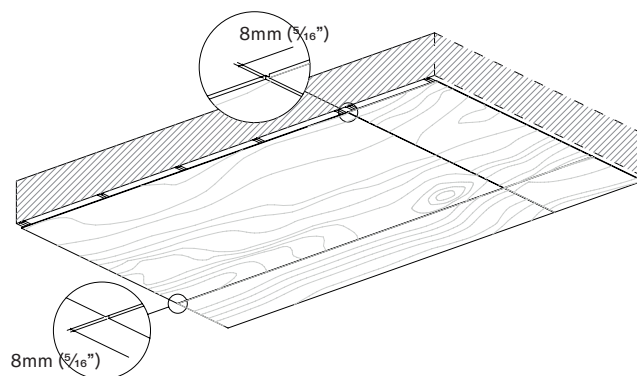
5. Predrill the backside of the panel with a diameter of 2.5mm (3/32\" depth of 5.5mm (7/32\". After doing the predrilling, remove the remaining shavings from the hole. Use the panel screw DIN7981 F - d: 3mm - L:8mm to fix the interior hooks to the panel.



6. Once the hooks are installed, place the interior hooks on the hanging rails installed on the ceiling.



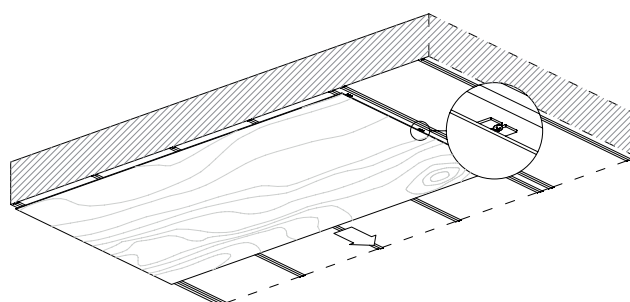
7. Leave a joint of 8mm (5/16\" between the panels to allow the material's contraction and expansion movements and also the access to the fixing point.



8. In order to control the natural expansion and contraction movements of the panel, the panel must be fixed to the backing subframe.

If the subframe is wood made the fixing point screw will be the DIN 7505B M:3.5 L:25mm and if it is metallic the screw will be the DIN 7504N M:3.5 L:19mm.

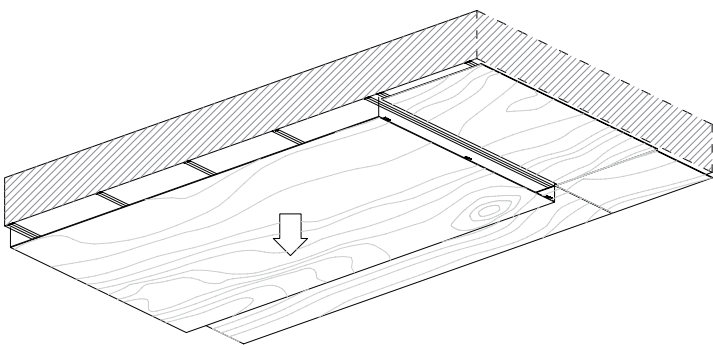
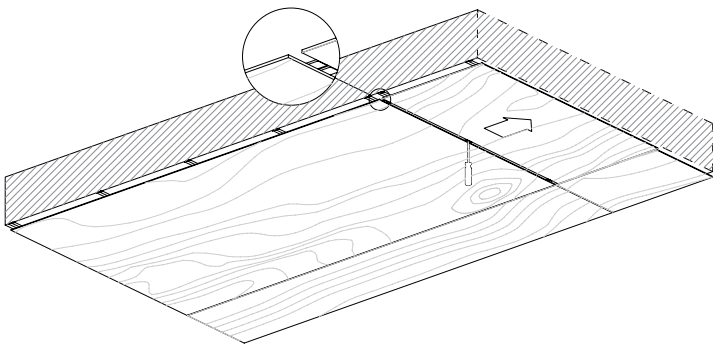
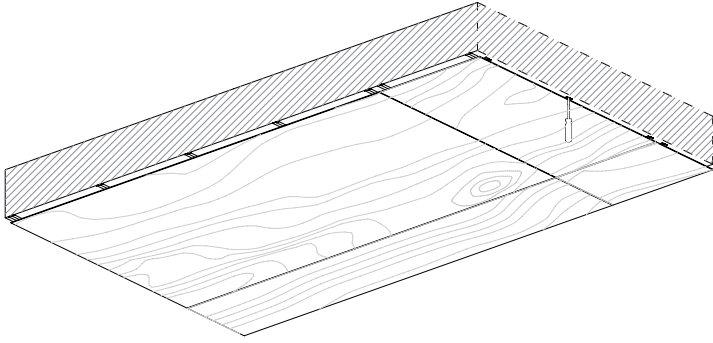
Fix only one hook per panel to the backside using the slot on the hook. The rest of the hooks must be free from the fixing screw to allow the panel contract and expand freely.



## How to install interior panels by using concealed fastening with interior hanging system

9.

Panels can be removed by removing two pieces. First remove the fixed screw from the piece we need to remove and the piece next to it. Then, push the second panel. This will create a 8mm ( $\frac{5}{16}$ " ) gap that will make possible the first panel removal.

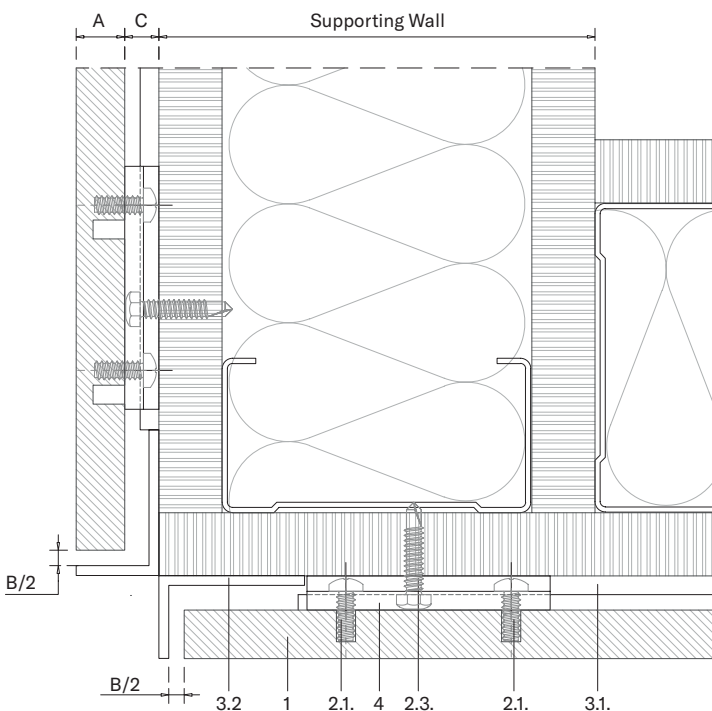
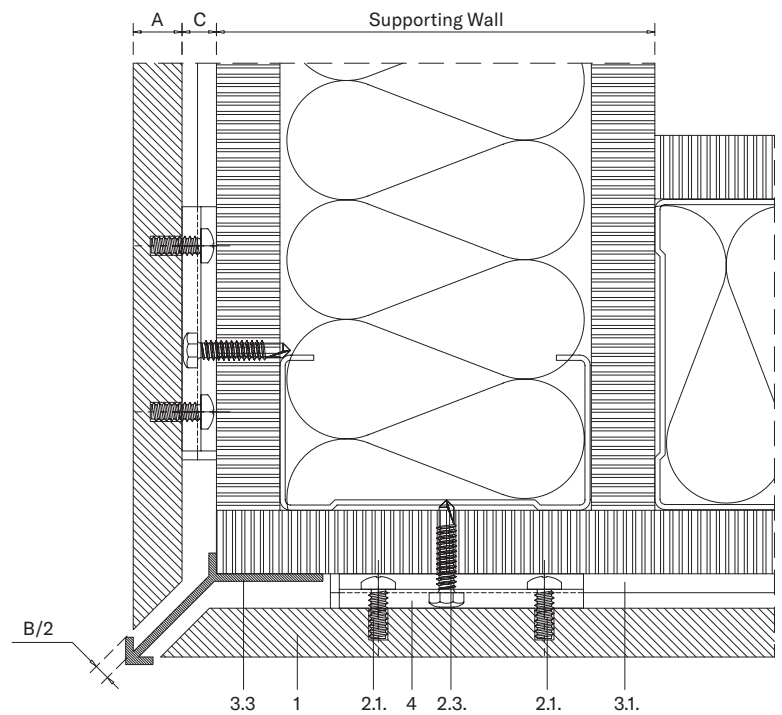
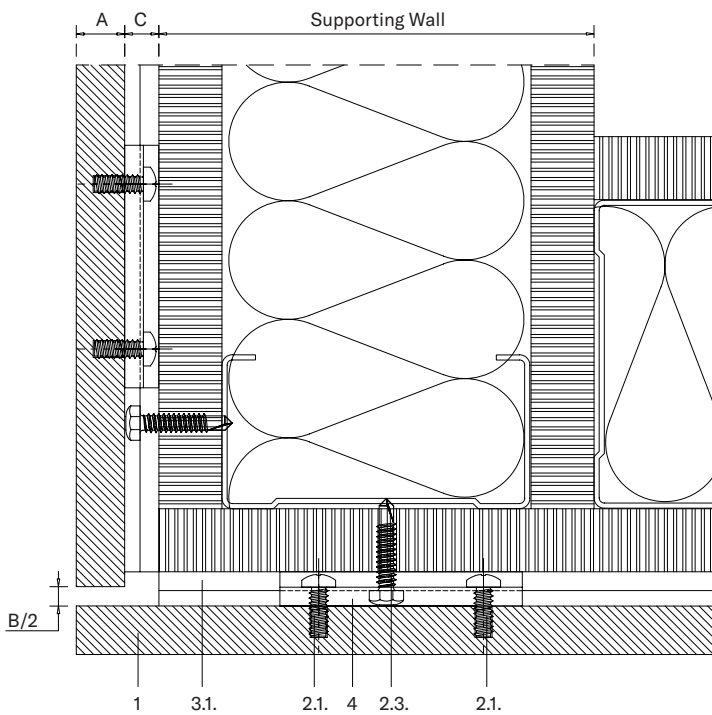


How to install interior panels by using concealed fastening with interior hanging system

Installation details:

PARKLEX PRODEMA has an extensive range of solutions showing all types of installation details to address corners, windows, crowns, etc. All of these details are available on the Technical Area of the PARKLEX PRODEMA website.

OUTSIDE CORNER DETAIL

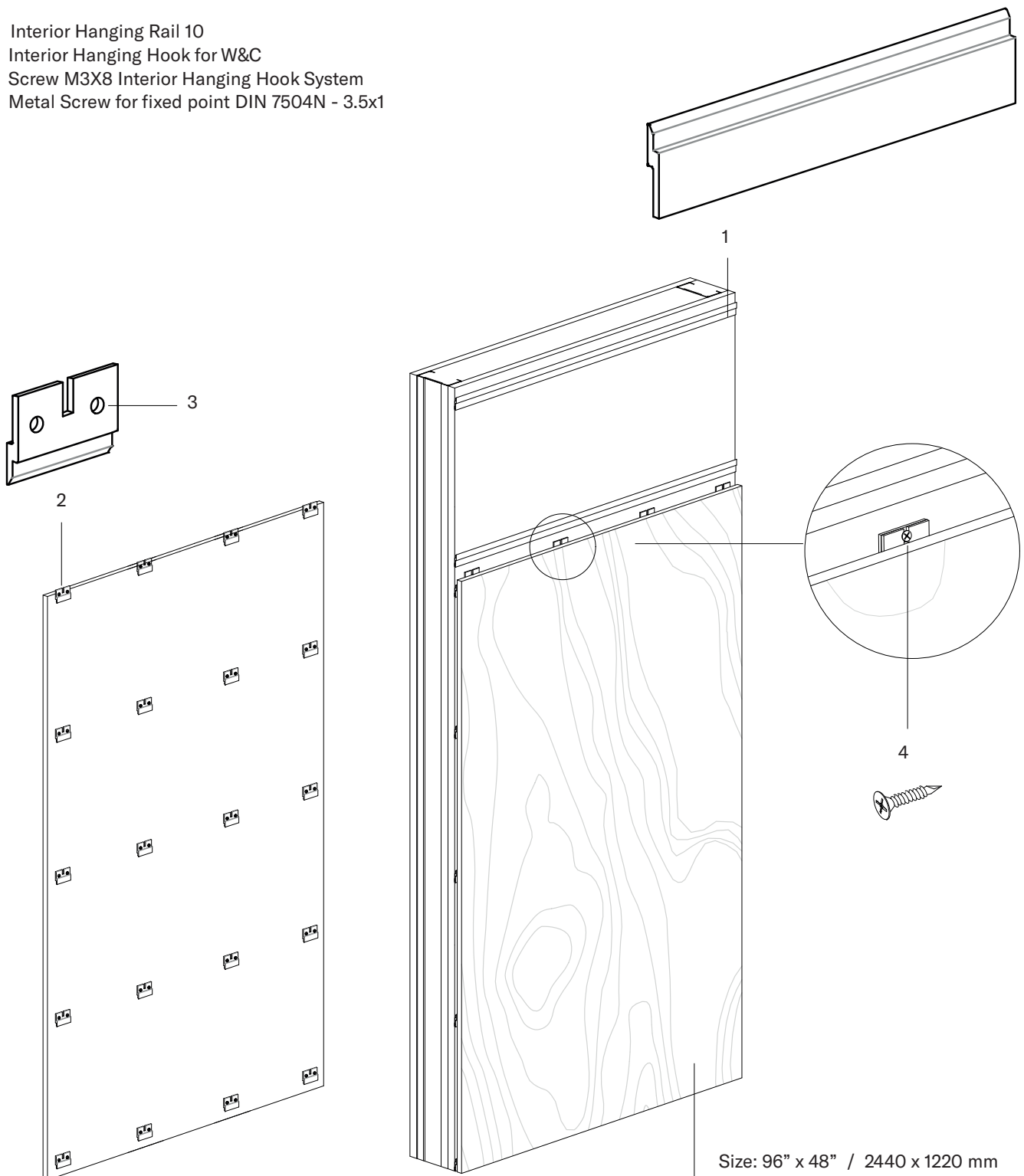


- 1. NATURHARDPANEL-W
- 2. Screws
- 2.1. Screw M3x8
- 2.3. Wall fixing screw
- 3. Profiles
- 3.1. Interior hanging rail
- 3.2. Corner trim for rectangular cut (L15x30) - black lackered /by others
- 3.3. Corner trim for mitered corners - black lackered /by others
- 4. Interior hanging hook for walls and ceilings
- 5. Corner trim - black lackered
- A. Panel thickness 8mm (5/16")
- B. Expansion joint 6mm (1/4")
- C. Chamber depth min. 7mm (9/32")

## How to install interior panels by using concealed fastening with interior hanging system

### HANGING HOOK INSTALLATION SYSTEM FOR INTERIOR WALLS AND CEILINGS

1. Interior Hanging Rail 10
2. Interior Hanging Hook for W&C
3. Screw M3X8 Interior Hanging Hook System
4. Metal Screw for fixed point DIN 7504N - 3.5x1



Size: 96" x 48" / 2440 x 1220 mm  
Thickness: ≥ 8 mm

Suitable for:  
NATURHARDPANEL-W  
NATURPANEL-W