



**TONGUE AND GROOVE SYSTEM  
FOR WALLS AND CEILINGS  
NATURPANEL-W**

**PARKLEX PRODEMA**

How to install interior panels by using tongue and groove system

NATURPANEL-W panels can be installed by using tongue and grooved system. Boards are supplied with machined edges.

This installation system can be applied to interior walls and ceilings, and in curved interior surfaces.

In the event that the wall is not perfectly plumb, wall brackets or shims are used to adjust the depth of the channel installation.

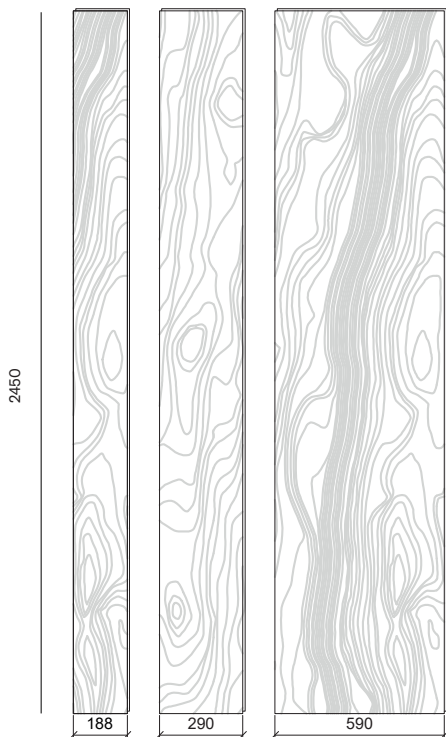
Panel thicknesses: 14mm

Panel dimensions:

2450 x 188, 290, 590 mm

96" x 7.40", 11.42", 23.23"

Boards of different widths may be combined.



Panel layout:

	HORIZONTAL	VERTICAL
NATURPANEL-W	✓	✓

Grooved NATURPANEL - W boards are installed together with a closed joint, both lengthwise and crosswise.

PARKLEX PRODEMA offers 3 edge solutions to join the boards:

Option 1:

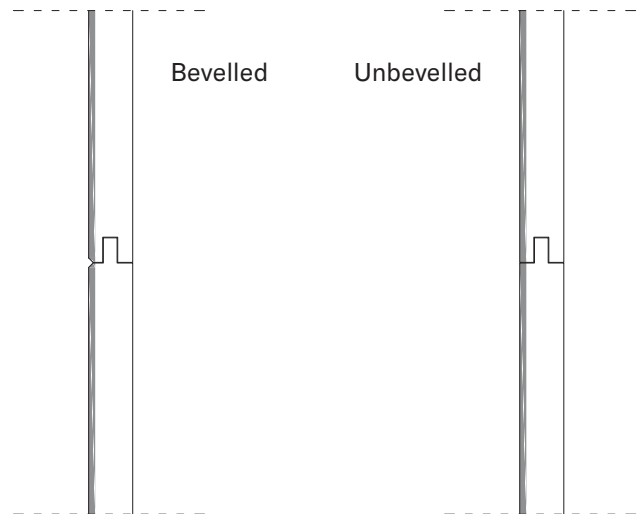
Lengthwise bevelled edge (1mm at 45°)

Option 2:

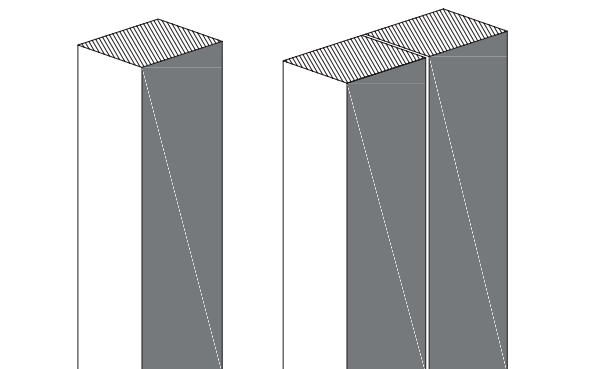
Bevelled lengthwise and crosswise edge (1mm at 45°)

Option 3:

Unbevelled



Subframe: Wooden batten



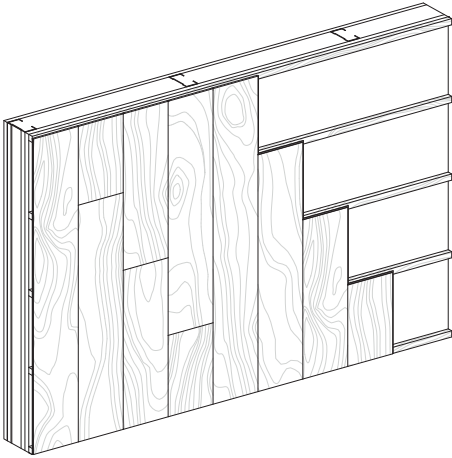
## How to install interior panels by using tongue and groove system

### System Components:

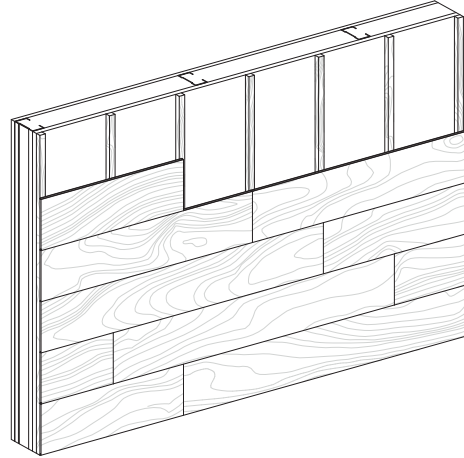
#### Fixing

---

##### Vertical



##### Horizontal



#### Recommended installation tools

---

Brad nail (by other)



Elastic adhesive



D3/D4 PVA adhesive



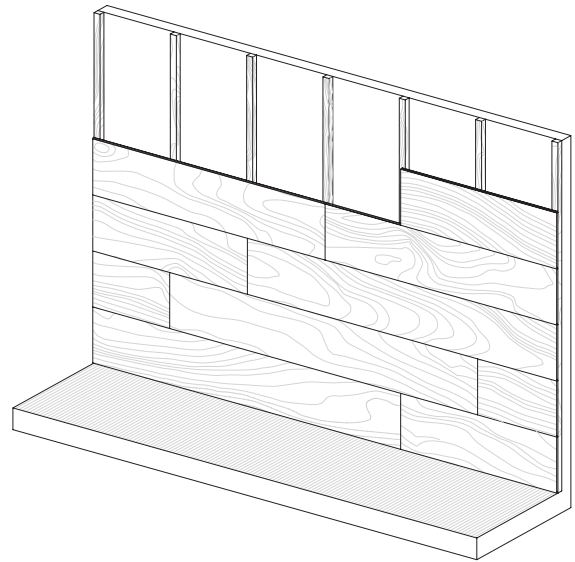
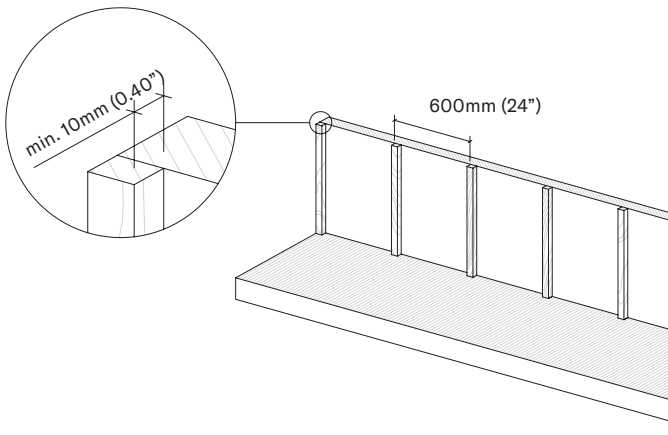
## How to install interior panels by using tongue and groove system

Instructions on wall installation.

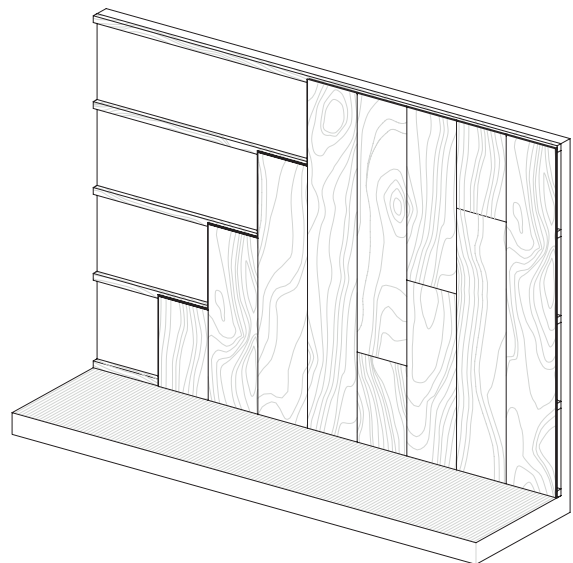
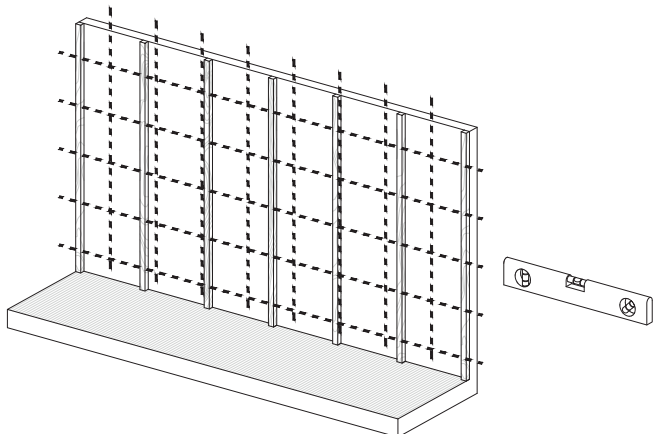
Substructure preparation:

Supporting profiles onto which the grooved PARKLEX PRODEMA NATURPANEL - W boards will be glued must be solid wood (plywood, MDF, etc. are not suitable substructures). These profiles must be at least 10mm (0.40") deep and separated from one another at a distance no more than 600mm (24") between centres.

The direction of the support profiles (vertical or horizontal) shall determine the direction of the boards grain. Vertically installed profiles for boards with horizontal grain, and horizontally installed profiles for boards with vertical grain.



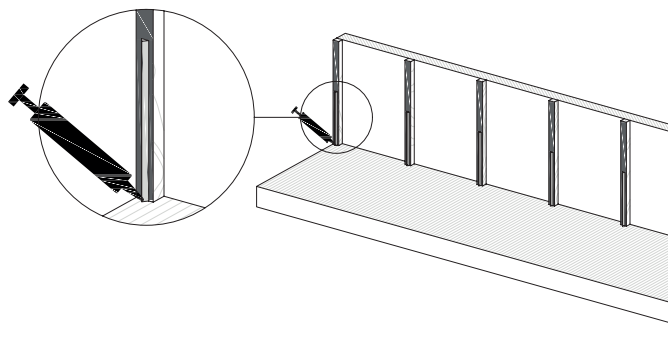
It is essential to guarantee precise alignment between the substructure, since any imperfection in the horizontal or vertical plane will be directly transferred to the material.



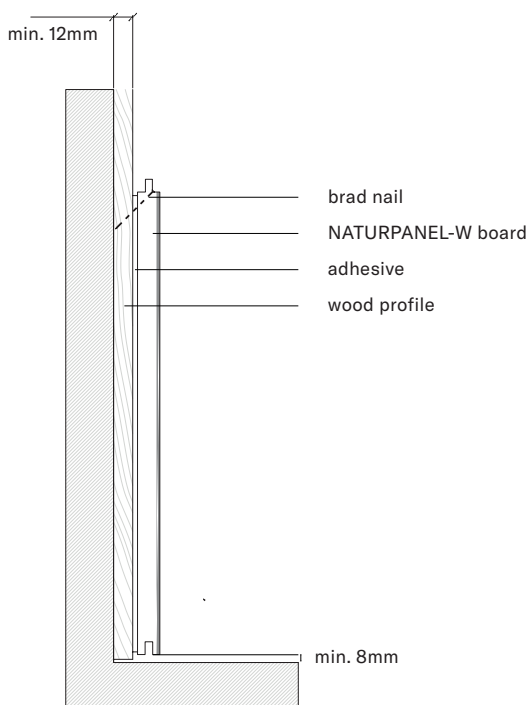
How to install interior panels by using tongue and groove system

Installation of boards.

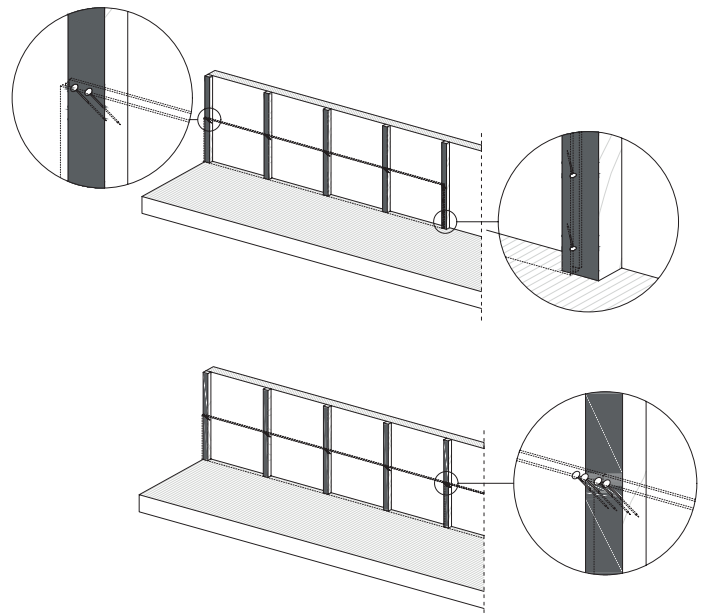
The boards are glued to the wooden profiles with elastic adhesives, providing for dimensional variations in the material. Contact PARKLEX PRODEMA's technical department for specific adhesive application procedures.



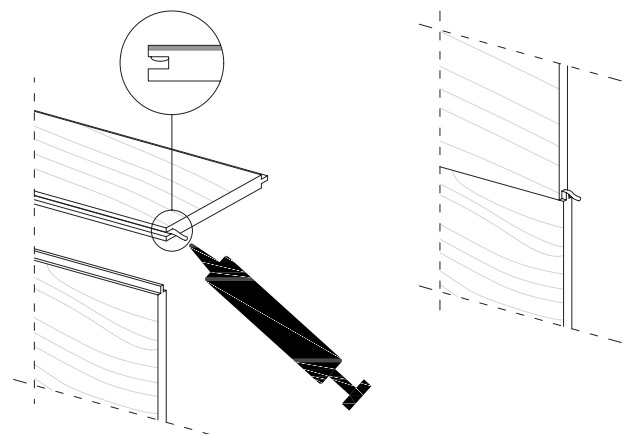
The first row of boards is installed with the tongue facing upward. It is essential to guarantee proper alignment in the first row of boards, since the second row of boards will be supported on the first, and so on and so forth, successively. To allow material expansion/contraction movement, a 8mm (5/16") clearance space must be left around the perimeter of the application area. The brad nails (GA 18, length: 1 1/4") are put on each one of the support profiles (600mm [24"] between centres) and must never be removed, under any circumstance.



Insert 2-3 brad nails through the tongue (at 45°) NATURPANEL-W boards in the first row.



Apply continuous beads of PVA D3/D4 (such as TITEBOND III glue) adhesive on the inside of the upper edge of the groove, so that the tongue is entirely covered when knocking the boards together to join them. This way, the finish is leak-tight and there is maximum resistance in the joint. At the bottom of the board, the glue serves no purpose, since this is an area intended to draw the excess adhesive from inside the joint. It is essential to immediately and completely remove all excess adhesive on the surface visible at the joints with a damp cloth. Otherwise, it will be visible when it dries.



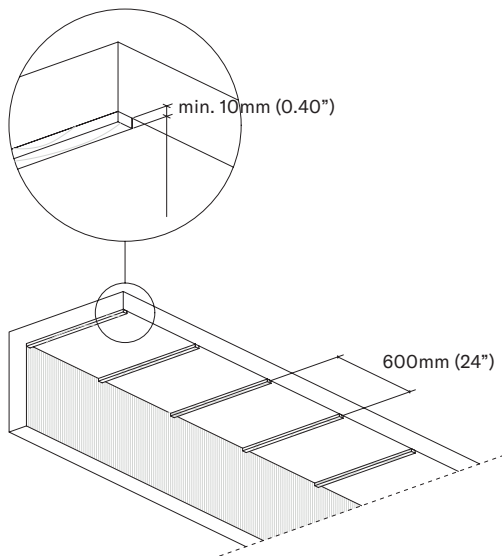
Install the next row of boards, following the same steps for installation.

## How to install interior panels by using tongue and groove system

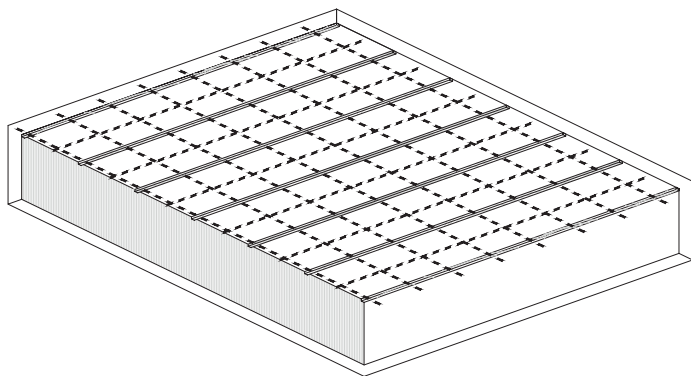
Instructions on ceiling installation.

Substructure preparation.

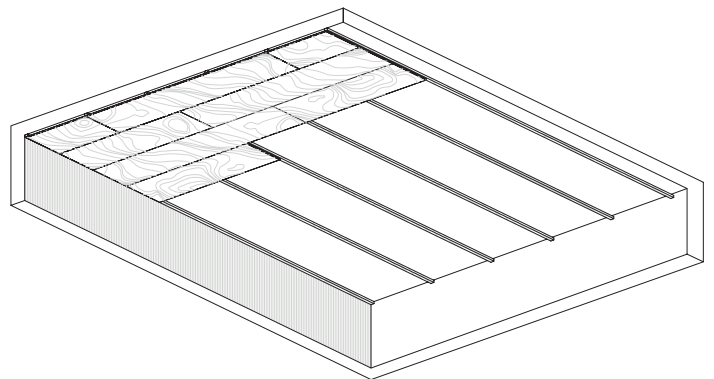
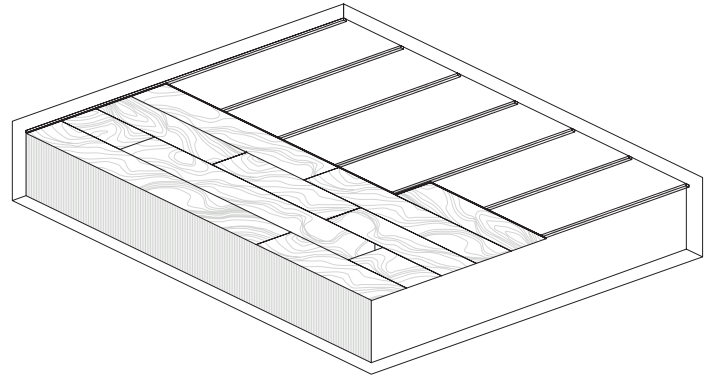
Supporting profiles onto which the grooved boards will be glued must be solid wood (plywood, MDF, etc. are not suitable substructures). These profiles must be at least 10mm (0.40") deep and separated from one another at a distance no more than 600mm (24") between centres.



It is essential to guarantee precise alignment between the substructure, since any imperfection in the horizontal or vertical plane will be directly transferred to the material.

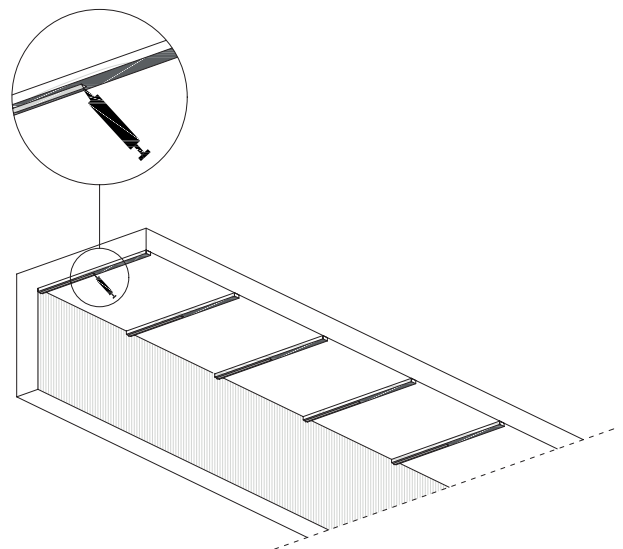


The direction of the support profiles shall determine the direction of the board's grain.



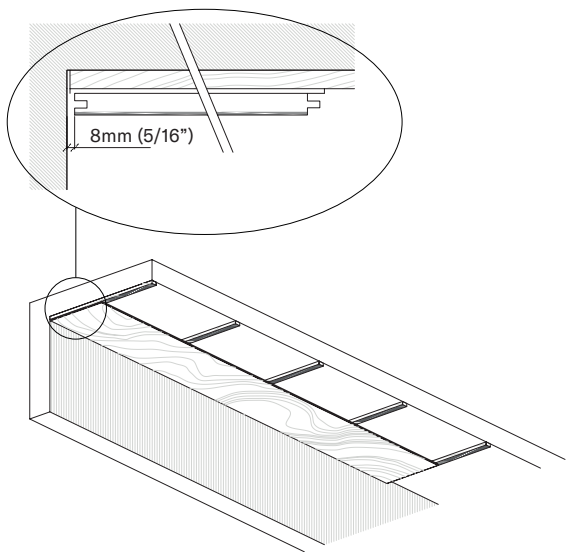
Installation of boards.

The boards are glued to the wooden profiles with elastic adhesives, providing for dimensional variations in the material. Contact PARKLEX PRODEMA's technical department for specific adhesive application procedures.

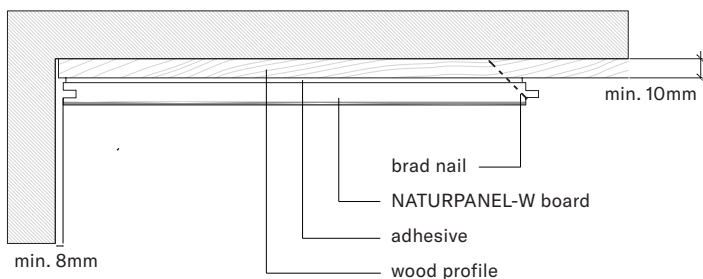


How to install interior panels by using tongue and groove system

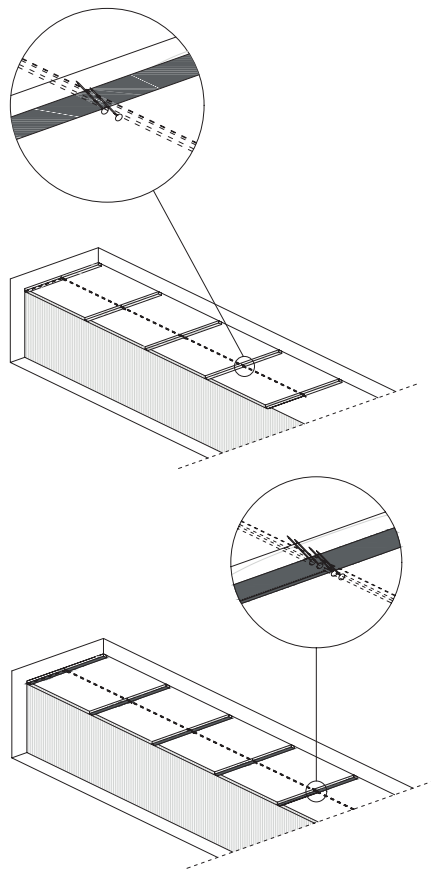
The first row of boards is installed with the groove facing toward the wall where installation begins. It is essential to guarantee proper alignment in the first row of boards, since the second row of boards will be supported on the first, and so on and so forth, successively. To allow material expansion/contraction movement, a 8mm (5/16") clearance space must be left around the PARKLEX PRODEMA application area.



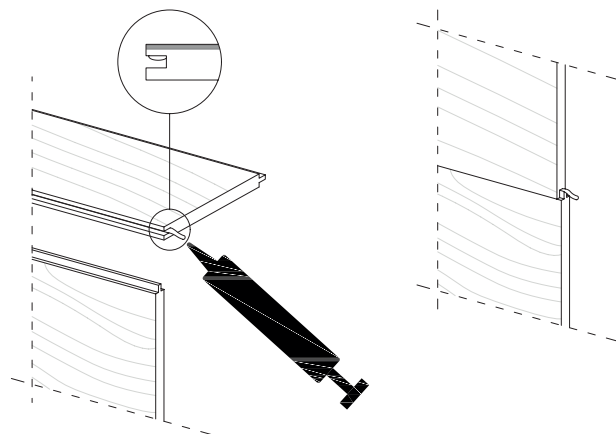
The brad nails are put on each one of the support profiles (600mm [24"] between centres) and must never be removed, under any circumstance.



Insert 2-3 brad nails through the tongue (at 45°) grooved NATURPANEL - W boards in the first row.



Apply continuous beads of PVA D3/D4 adhesive (such as TITEBOND III glue) on the inside of the upper edge of the groove, so that the tongue is entirely covered when knocking the boards together to join them. This way, the finish is leak-tight and there is maximum resistance in the joint. At the bottom of the board, the glue serves no purpose, since this is an area intended to draw the excess adhesive from inside the joint. It is essential to immediately and completely remove all excess adhesive on the surface visible at the joints with a damp cloth. Otherwise, it will be visible when it dries.

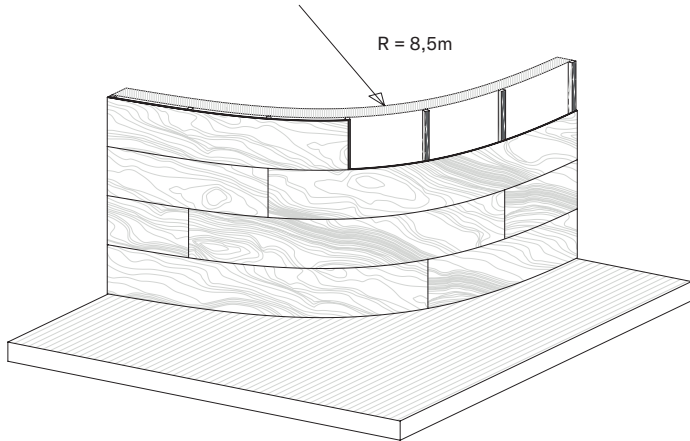


Install the next row of boards, following the same steps for installation.

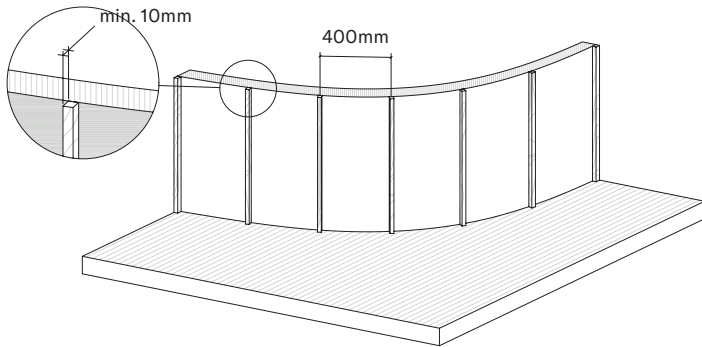
How to install interior panels by using tongue and groove system

Instructions on curve installation.

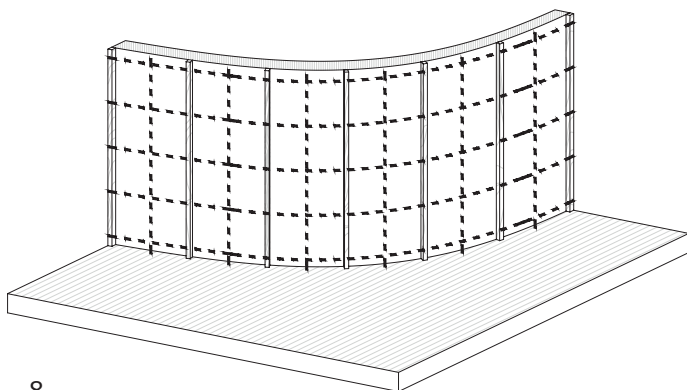
Grooved boards are flat, rigid boards. However, they can curve up to minimum bend radii of 8.5m (28'). When installing the boards on a curved structure, the distance between wooden battens must be reduced to 400mm (16").



Supporting profiles onto which the boards will be glued must be solid wood (plywood, MDF, etc. are not suitable substructures). These profiles must be at least 10mm (0.40") deep and separated from one another at a distance no more than 400mm (16") between centres.

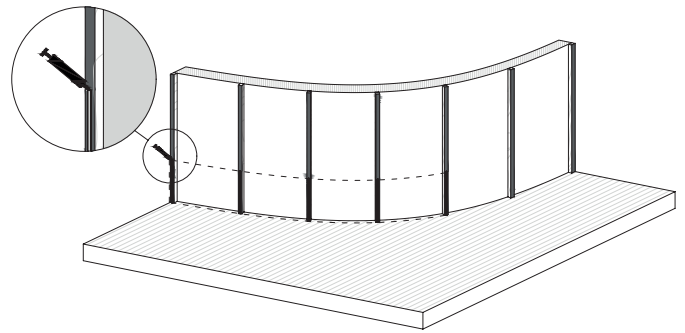


It is essential to guarantee precise alignment between the sub-structure, since any imperfection in the horizontal or vertical plane will be directly transferred to the material.

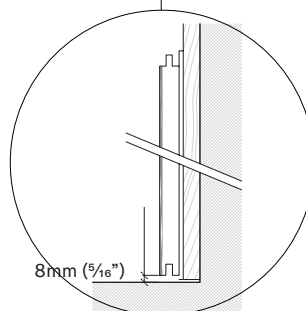
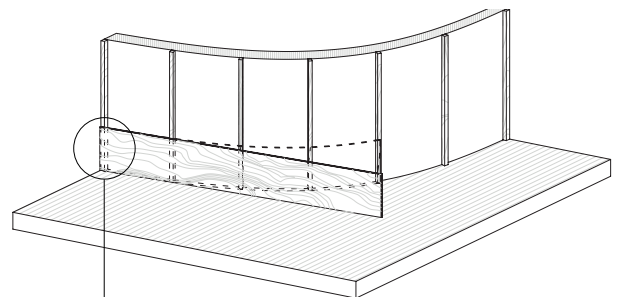


Installation of boards.

The boards are glued to the wooden profiles with elastic adhesives, providing for dimensional variations in the material. Contact PARKLEX PRODEMA's technical department for specific adhesive application procedures.



It is essential to guarantee proper alignment in the first row of boards, since the second row of boards will be supported on the first, and so on and so forth, successively. To allow material expansion/contraction movement, a 8mm (5/16") clearance space must be left, around the perimeter of the PARKLEX PRODEMA application area. The brad nails are put on each one of the support profiles (400mm [16"] between centres) and must never be removed, under any circumstance.



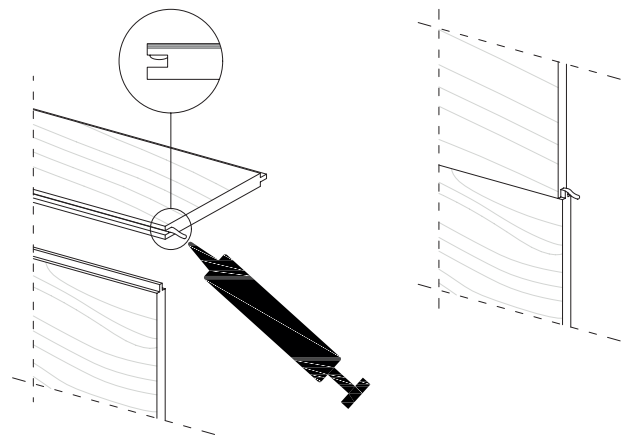
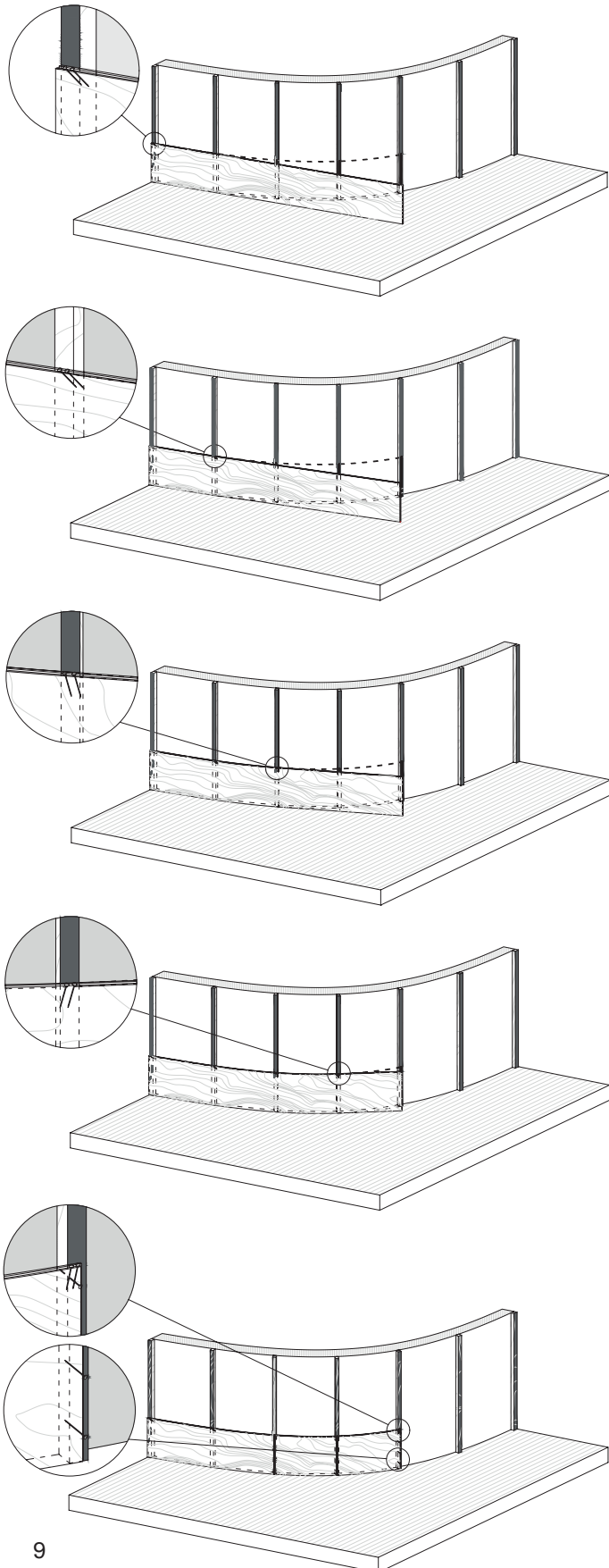


### How to install interior panels by using tongue and groove system

Insert 2-3 brad nails through the tongue (at 45°) boards in the first row, following the order of application.

It is advisable for the joint between the heads (or the transversal part) of the boards to match up with the support profiles and to brad nail them together, as shown in the previous image.

Apply continuous beads of PVA D3/D4, such as TITEBOND III glue, adhesive on the inside of the upper edge of the groove, so that the male is entirely covered when knocking the boards together to join them. This way, the finish is leak-tight and there is maximum resistance in the joint. At the bottom of the board, the glue serves no purpose, since this is an area intended to draw the excess adhesive from inside the joint. It is essential to immediately and completely remove all excess adhesive on the surface visible at the joints with a damp cloth. Otherwise, it will be visible when it dries.

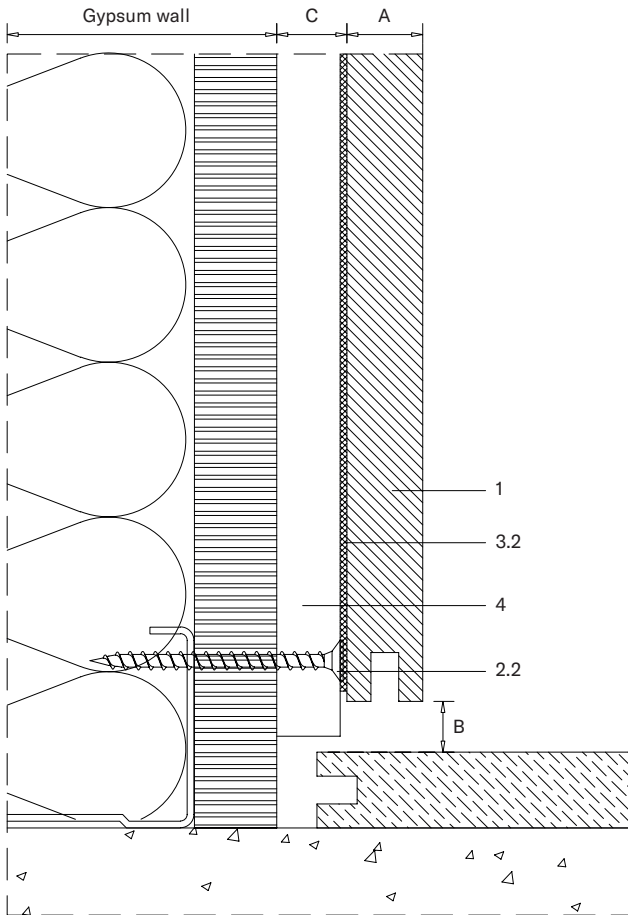


## How to install interior panels by using tongue and groove system

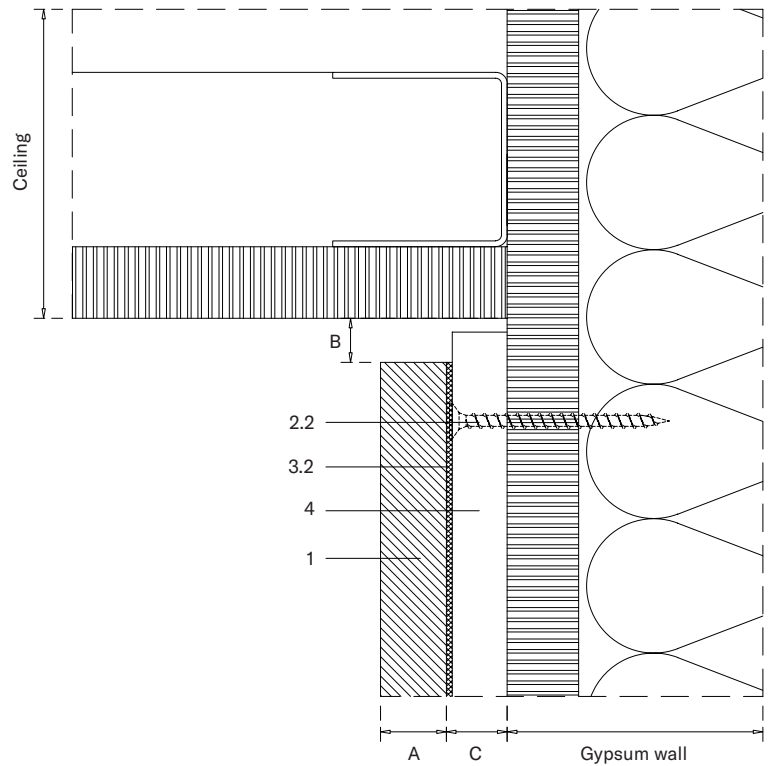
### Installation details:

PARKLEX PRODEMA has an extensive range of solutions showing all types of installation details to address corners, windows, crowns, etc. All of these details are available on the Technical Area of the PARKLEX PRODEMA website.

### BASE DETAIL



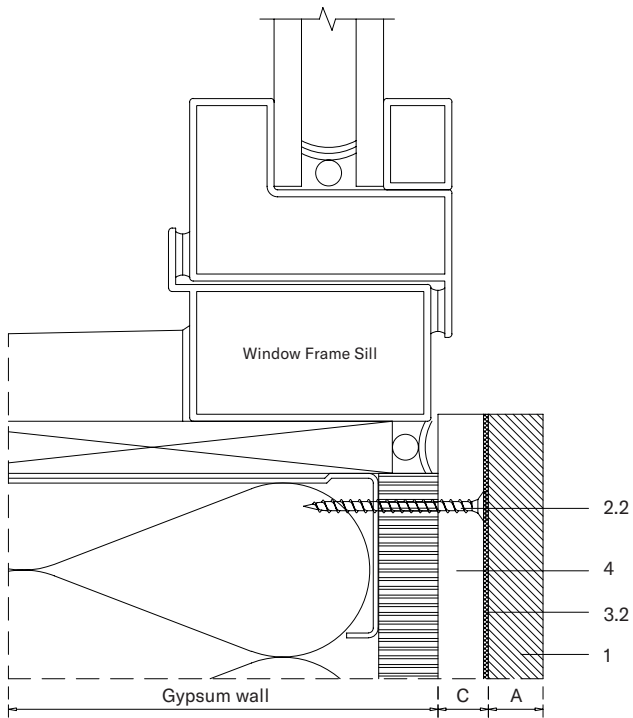
### WALL-TO-CEILING JUNCTION



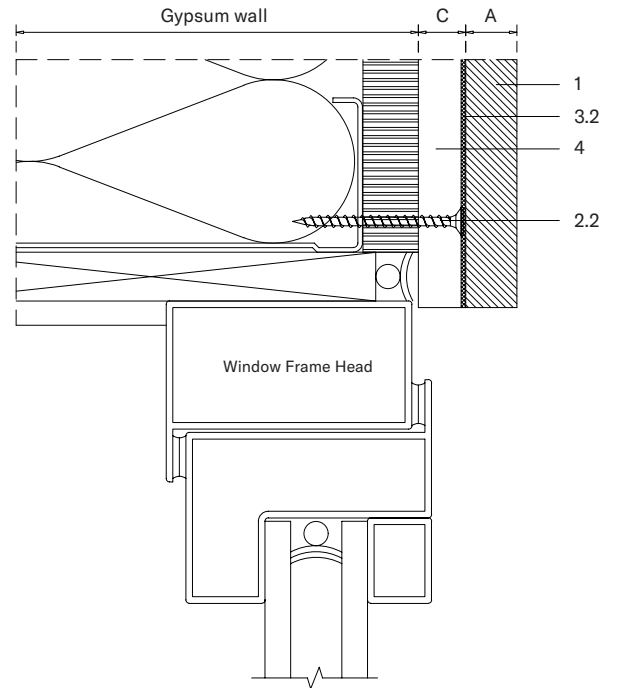
1. NATURPANEL-W
  2. Screws / Nails
    - 2.1. GA18 Nail, 30 mm length /by others
    - 2.2. Screw for wall fixing /by others
  3. Adhesive
    - 3.1. Adhesive for tongue and groove
    - 3.2. Adhesive for panel fixing
  4. Wooden batten /by others
- A. Panel thickness: 14 mm  
 B. Perimeter joint: 8 mm  
 C. Air cavity depth: 10mm

How to install interior panels by using tongue and groove system

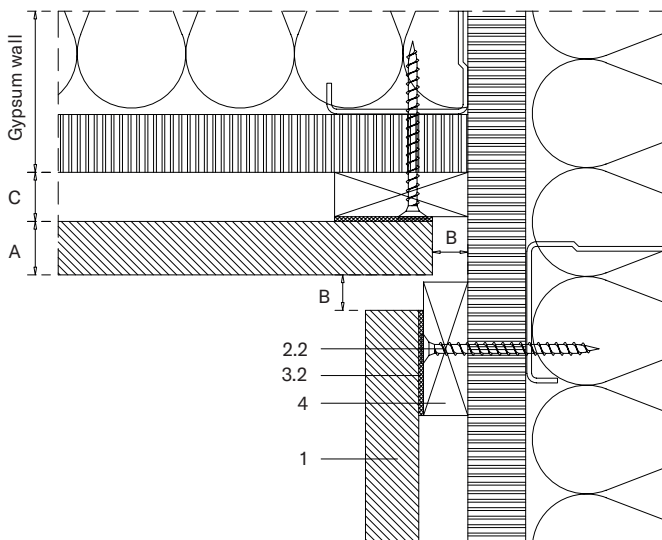
WINDOW SILL



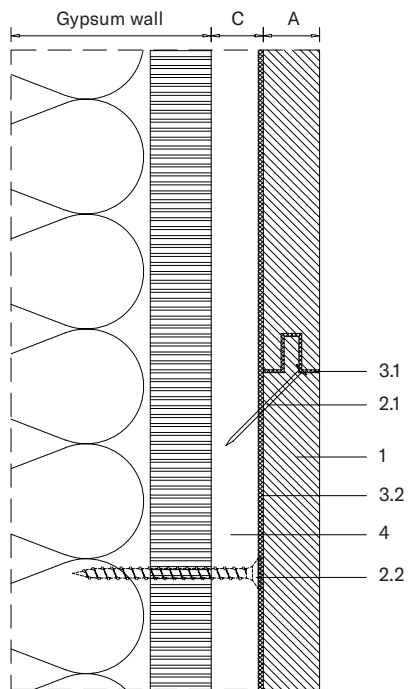
WINDOW HEAD



INSIDE CORNER



HORIZONTAL JOINT



- 1. NATURPANEL-W
- 2. Screws / Nails
- 2.1. GA18 Nail, 30 mm length /by others
- 2.2. Screw for wall fixing /by others
- 3. Adhesive
- 3.1. Adhesive for tongue and groove
- 3.2. Adhesive for panel fixing
- 4. Wooden batten /by others
- A. Panel thickness: 14 mm
- B. Perimeter joint: 8 mm
- C. Air cavity depth: 10mm

