

**LAP SIDING SYSTEM  
NATURSIDING-W, NATURSIDING-B**

**PARKLEX PRODEMA**

## How to install PARKLEX PRODEMA using lap siding system

NATURSIDING-W and NATURSIDING-B planks can be installed by using lapsiding system.

This installation system is valid for installing on to facades.

Planks may be installed using horizontal lapsiding system. The planks are mounted on vertical channels to create a ventilated air chamber behind the planks. In the event that the wall is not perfectly plumb, wall brackets or shims are used to adjust the depth of the channel installation.

Plank thickness: 8 mm

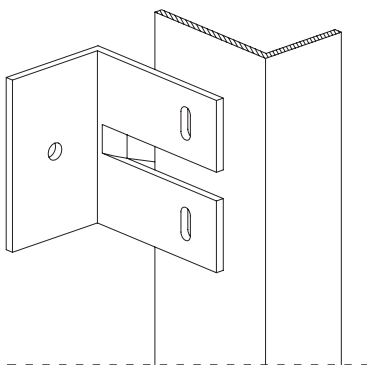
Plank dimensions:  
 2440 mm x 198, 300 mm  
 96" x 7.80", 11.81"

Planks layout:

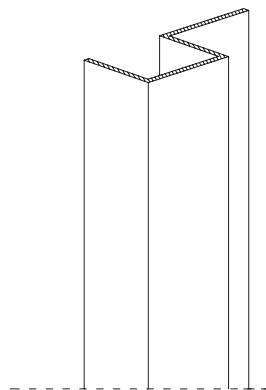
	HORIZONTAL	VERTICAL
NATURSIDING-W	✓	
NATURSIDING-B	✓	

Subframe:

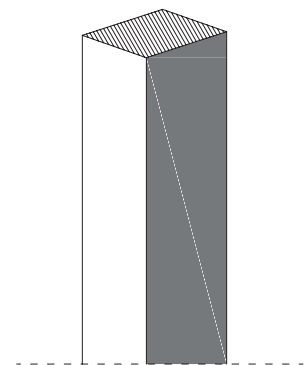
Aluminium Ls and wall brackets



Aluminium Js

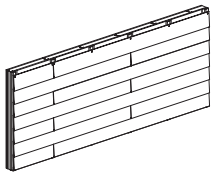
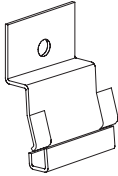







Wooden batten



How to install PARKLEX PRODEMA using lap siding system

System Components:

Types of Fasteners Installation accessories for Lap Siding				
Fixing	Accessories			
 Horizontal	 Lap Siding Clip	 Gap Gauge Tool		
	 SX3-D12	 TWS-D12	 7504N M3,5/L= 19 mm	 7505B M3,5/L= 25 mm

How to install PARKLEX PRODEMA using lap siding system

Assembly instructions:

The ventilated facade has several advantages over a conventional facade:

- Permeability: Moving air difuses water vapour from the inside out and facilitates the ventilation of the facade, preventing condensation behind the planks.
- Water protection: Moving air provides protection from the elements, because it avoids water filtering the building.
- Thermal insulation: The load-bearing frame is insulated from the exterior subframe, eliminating thermal bridges. In this manner, temperature fluctuations are reduced in the interior, leading to energy savings.
- Solar protection: Thermal confort is improved inside the building by preventing overheating in the summer, as it facilitates 'breathing' of the facade. This reduces the amount of thermal energy that reaches the inside of the building. The internal structure is protected from direct radiation and from the elements
- Acoustic protection: The planks also act as a barrier for acoustic waves reducing the amount of noise coming from the outside.

Ventilation behind the slats is required.

For the installation of planks in ventilated facade mode, the planks are installed on vertical channels, creating an uninterrupted flow of air in the rear part of the panel.

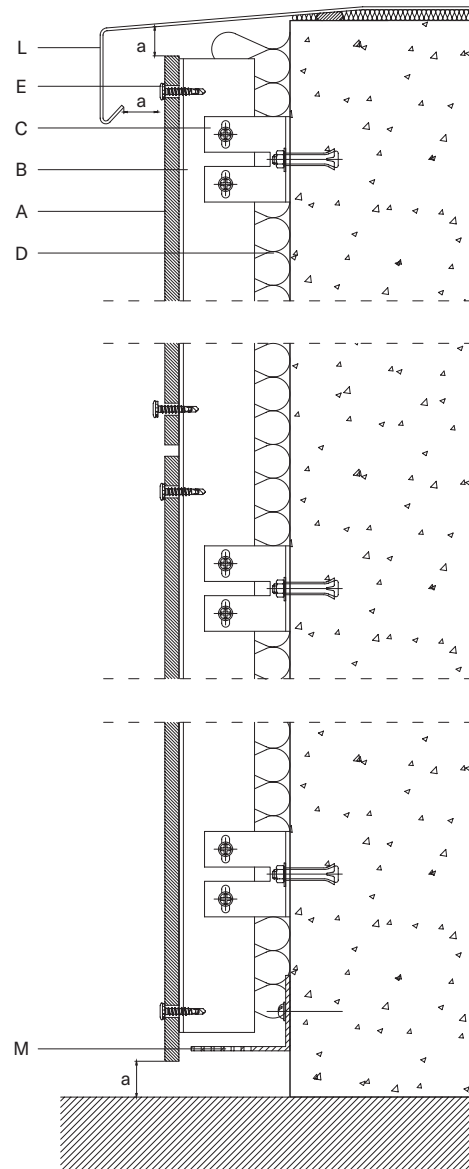
Cladding panels must be installed as a ventilated facade; therefore, they must be separated from the wall with channels, which are installed vertically, forming a chamber with a free ventilated space of  $\geq 20\text{mm}$  ( $\frac{3}{4}"$ ), except in those countries with specific code requirements. In the event that some type of insulation is installed, a double-channel subframe or a single-channels subframe with adjustable supporting elements must be installed, ensuring that the chamber is maintained. To permit air circulation in the ventilated chamber, the air intake and output must be correctly proportioned.

Head ventilation:

The ventilation at the head of the chamber must be  $\geq 20\text{mm}$  ( $\frac{3}{4}"$ ). This ventilation space must be left whenever there is an interruption in the face of the cladding panels, such as windows, doors or any fixed element.

Base ventilation:

The ventilation at the base of the chamber must be  $\geq 20\text{mm}$  ( $\frac{3}{4}"$ ). This ventilation space must be left whenever there is a new base i.e. if the cladding planks are interrupted by windows or other elements.



- A. Cladding planks
- B. Vertical metal channel
- C. Wall bracket
- D. Insulation
- E. Screw
- L. Metal sheet
- M. Screen

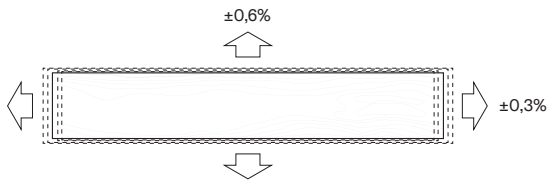
a  $\geq 20\text{mm}$  ( $\frac{3}{4}"$ ) (except for specific code requirements)

## How to install PARKLEX PRODEMA using lap siding system

### Dimensional stability:

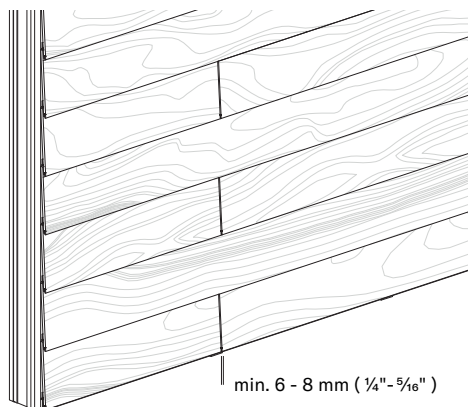
It must be kept in mind that the exterior planks will be exposed to changing seasons over the years, and they are composed of natural wood. Given that wood is a living material which suffers dimensional variations due to changes in humidity and temperature, it is important that the fasteners used are the indicated by PARKLEX PRODEMA, allowing the planks to move and not blocking their expansion and contraction.

All our cladding planks are resistant to vapor, water, snow and ice. However, we do not recommend submerging planks permanently or for extended periods of time.



### Expansion joints:

It is necessary to leave expansion joints around the perimeter of all planks to ensure they can absorb any expansion movements. The thickness of these joints depends on the panel dimensions and the facade design. As an example, for panels measuring 2440x198 mm (96" x 7.80"), these joints must be at least 6-8 mm (1/4" - 5/16"). It is recommended not to seal the joints with flexible materials, as this may lead to an accumulation of dirt around the edges of the planks.

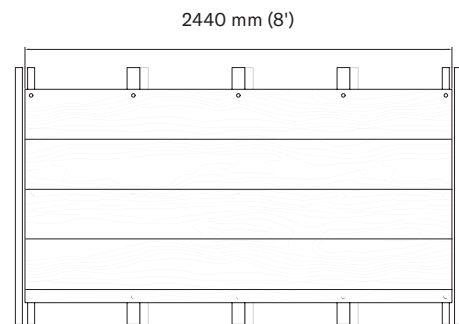


### Minimum support points per panel:

For fastening the screws on PARKLEX PRODEMA planks it is required to do predrilled holes.

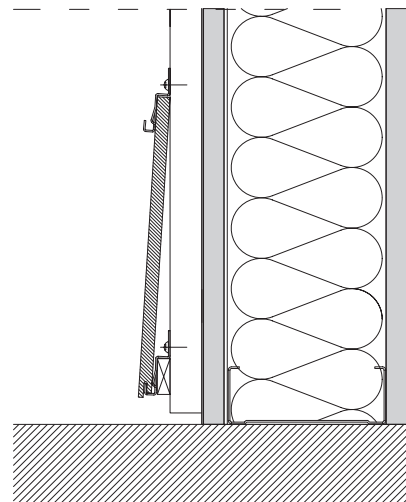
### Distance between fasteners:

THICKNESS	MAXIMUM DISTANCE
8 mm (5/16")	600 mm (24")



Two different plank widths are supplied: 198 mm (7.80") and 300 mm (11.81"), with a maximum length of 2440 mm (8'). This concealed installation system is only valid for thicknesses of 8 mm (5/16") thick panels.

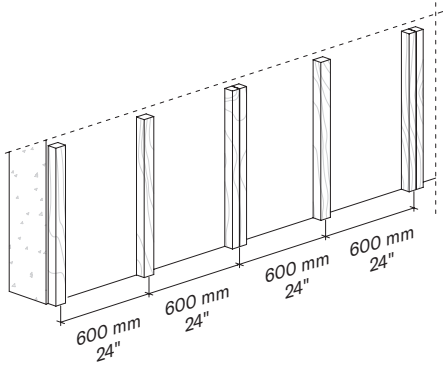
PLANK DIMENSIONS	THICKNESS	MAXIMUM DISTANCE
2440 x 198, 300 mm	8 mm	600 mm
8' x 7.80", 11.81"	5/16"	24"



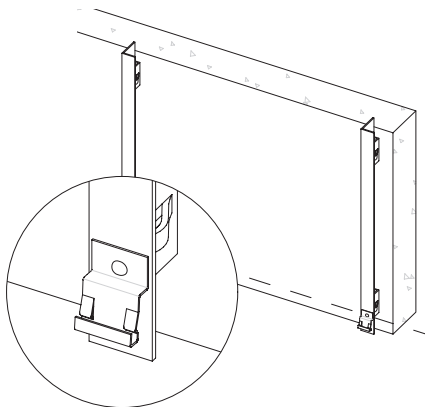
## How to install PARKLEX PRODEMA using lap siding system

For the correct installation of this system, PARKLEX PRODEMA supplies staples and planks with a machined edge that fits perfectly into them.

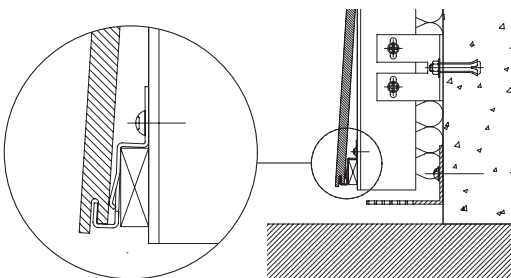
The distance between channels must never exceed 600mm (24"). Each panel must be supported by a minimum of three vertical battens.



The lap siding clips, made in black-lacquered stainless steel, are fixed to the lower part of the vertical channels.



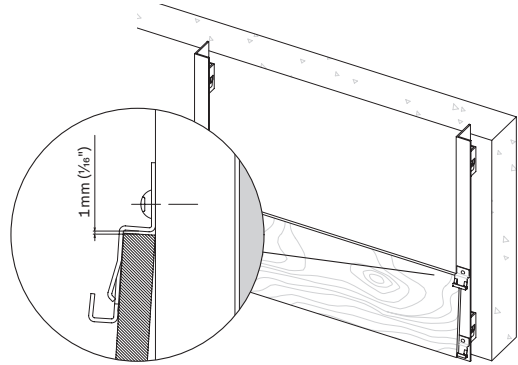
An 8mm (5/16") stud is placed behind the lap siding clips in the first row to act as a stopper.



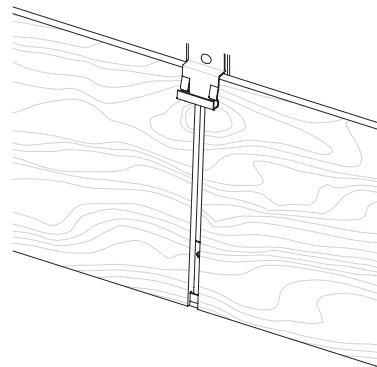
Once the first row of lap siding clips has been installed, add the first row of machined planks. The groove in the planks fits into the lap siding clip.

Alignment of the first row of lap siding clips is important, since the planks will rest on these pieces.

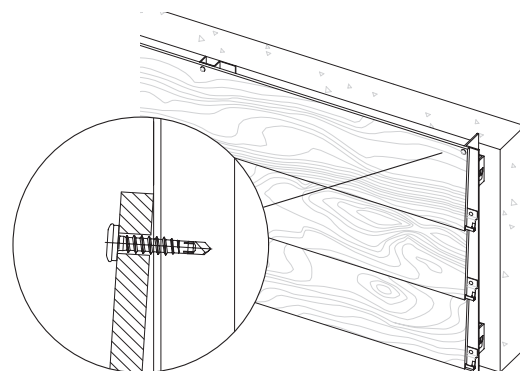
In the upper part of the plank, another lap siding clip is fastened in place, building the base for the second row, and so on. Keep a expansion joint of 1mm (1/16") between the lap siding clip and the siding board, using the gauge tool.



The lap siding clip is designed to solve the joint between two planks. A 1mm (1/16") gap is required between the staple and the plank to absorb the material dilatation. An 6mm (1/4") expansion joint must be left between the planks.



To finish off, fix the last row of planks in place using screws, following the same steps as when installing NATURCLAD with exposed fastening with screws or rivets:



Distance between vertical channels:

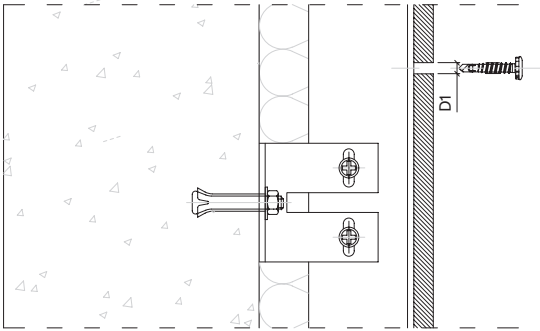
THICKNESS	MAXIMUM DISTANCE
8 mm (5/16")	600 mm (24")

## How to install PARKLEX PRODEMA using lap siding system

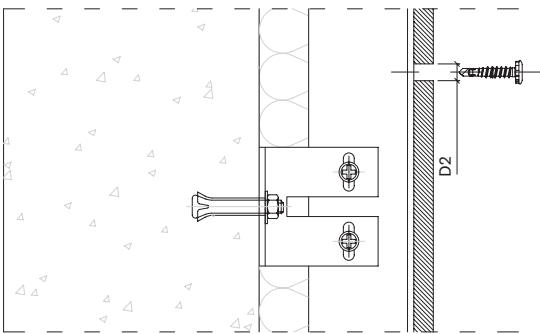
### Types of Fasteners:

SCREW
Metal channel
SX3-D12 (5.5 mm x 32 mm)
Torque of 3Nm (25 lb in)

SCREW
Timber batten
TWS D12 (4.8 mm x 38 mm)



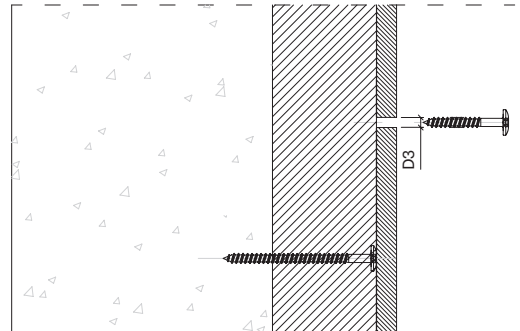
[ Fixed point ]



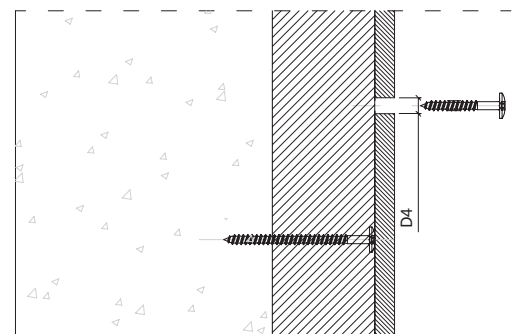
[ Floating point ]

D1 - 5 mm (1/4")

D2 - 8 mm (11/32")



[ Fixed point ]



[ Floating point ]

D3 - 5mm (1/4")

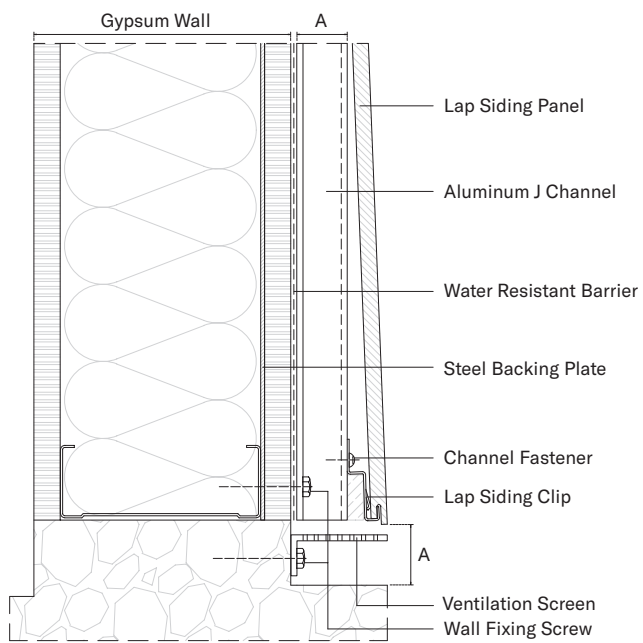
D4 - 8mm (11/32")

## How to install PARKLEX PRODEMA using lap siding system

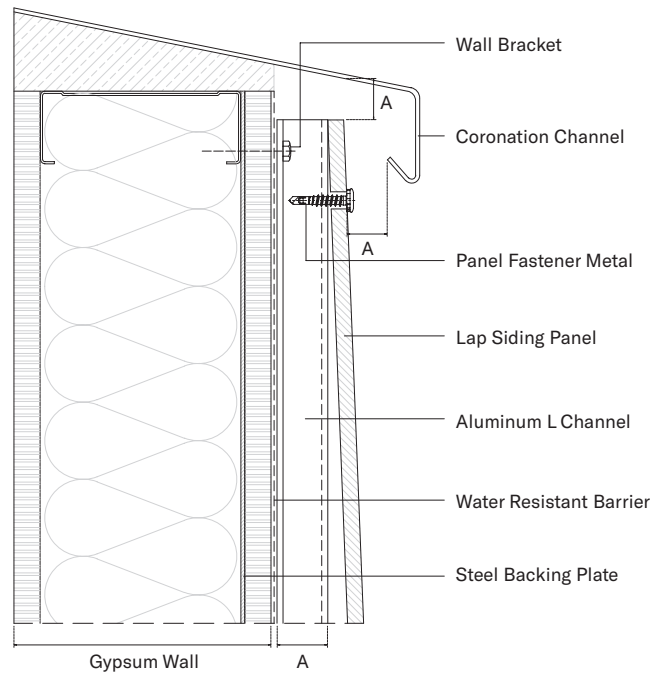
### Installation details:

PARKLEX PRODEMA has an extensive range of solutions showing all types of installation details to address corners, windows, crowns, etc. All of these details are available on the Technical Area of the PARKLEX PRODEMA website.

BASE DETAIL



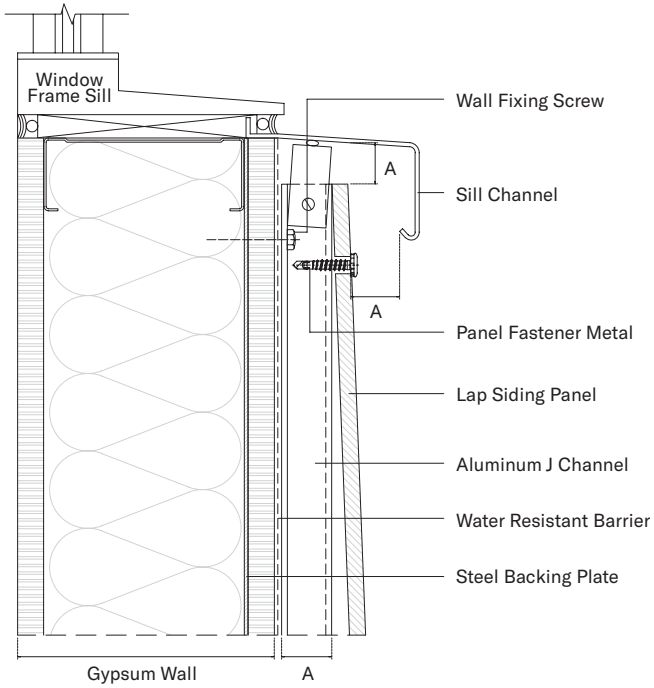
HEAD DETAIL



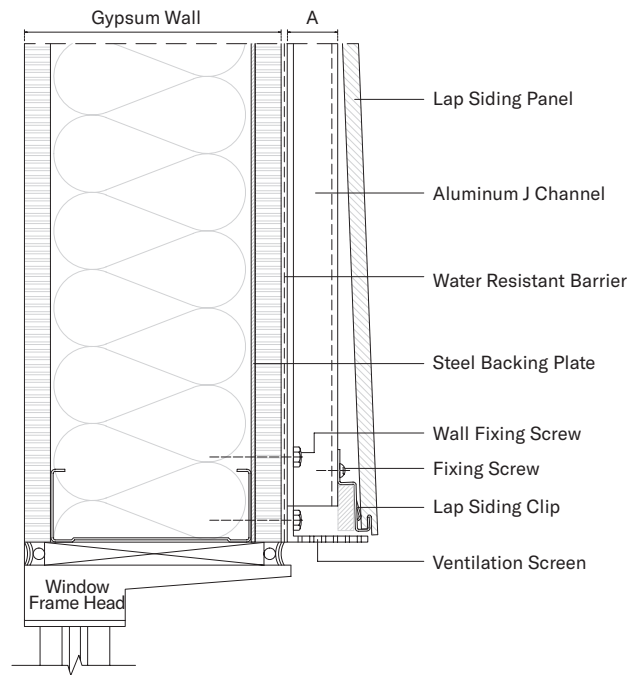
A > 20mm ( 3/4" )

How to install PARKLEX PRODEMA using lap siding system

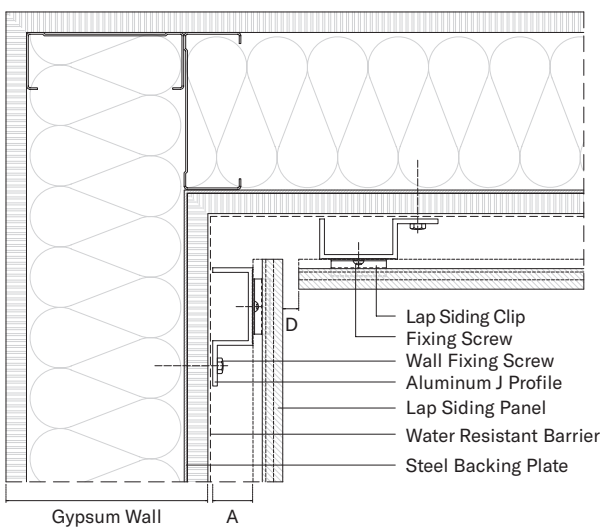
WINDOW SILL



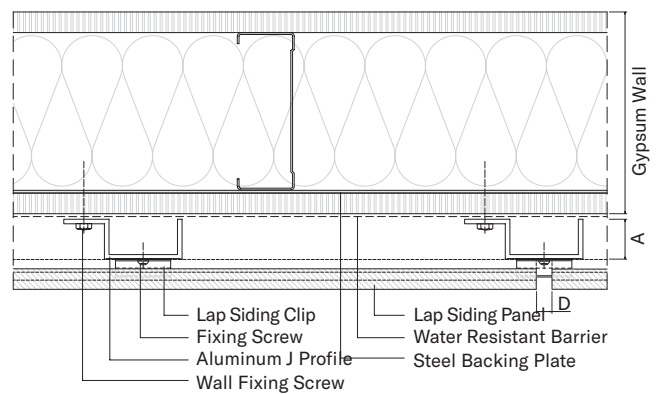
WINDOW HEAD



INSIDE CORNER

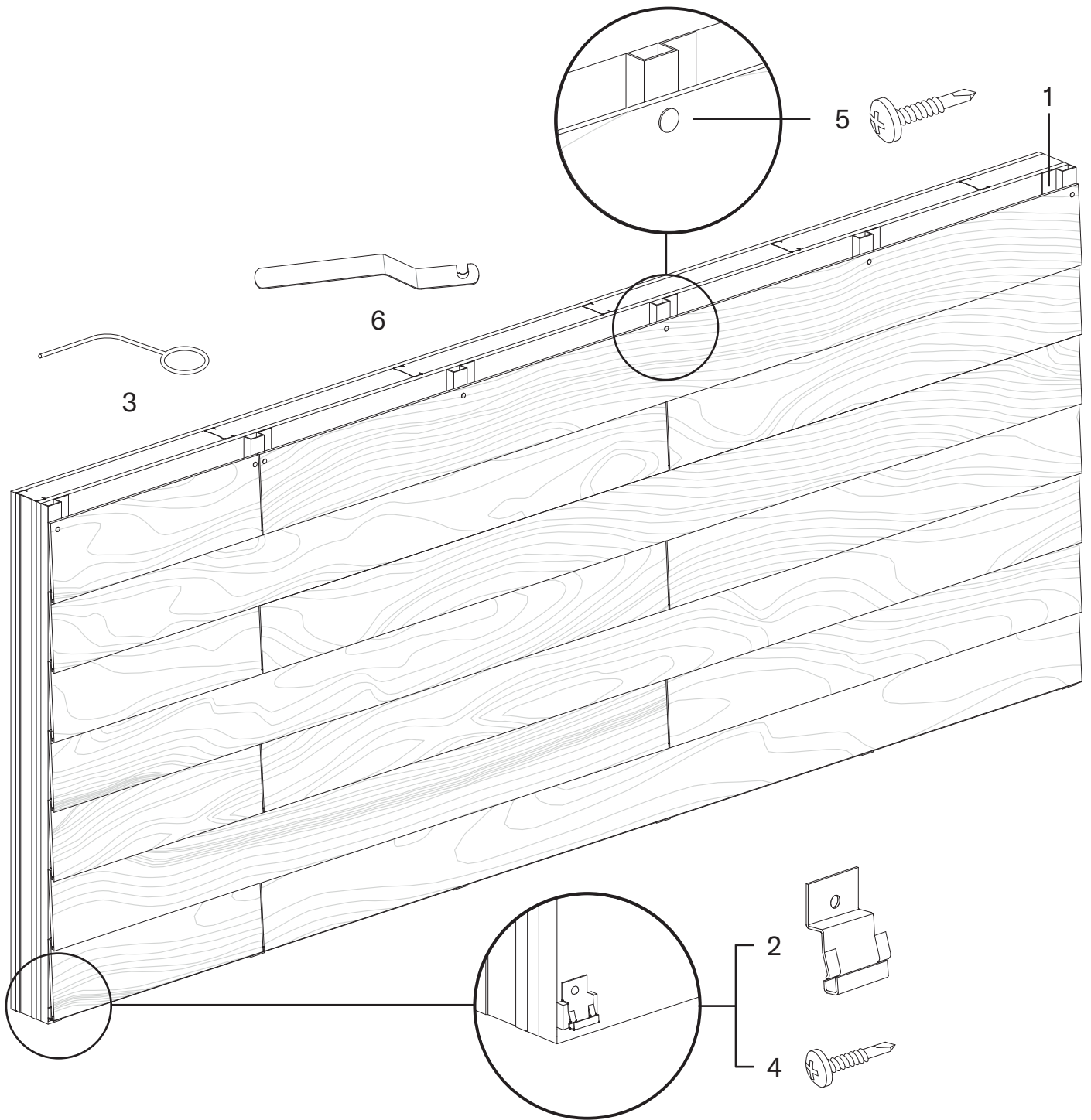


VERTICAL JOINT



A > 20 mm (3/4")  
 D > 6 mm (1/4")

# How to install PARKLEX PRODEMA using lap siding system



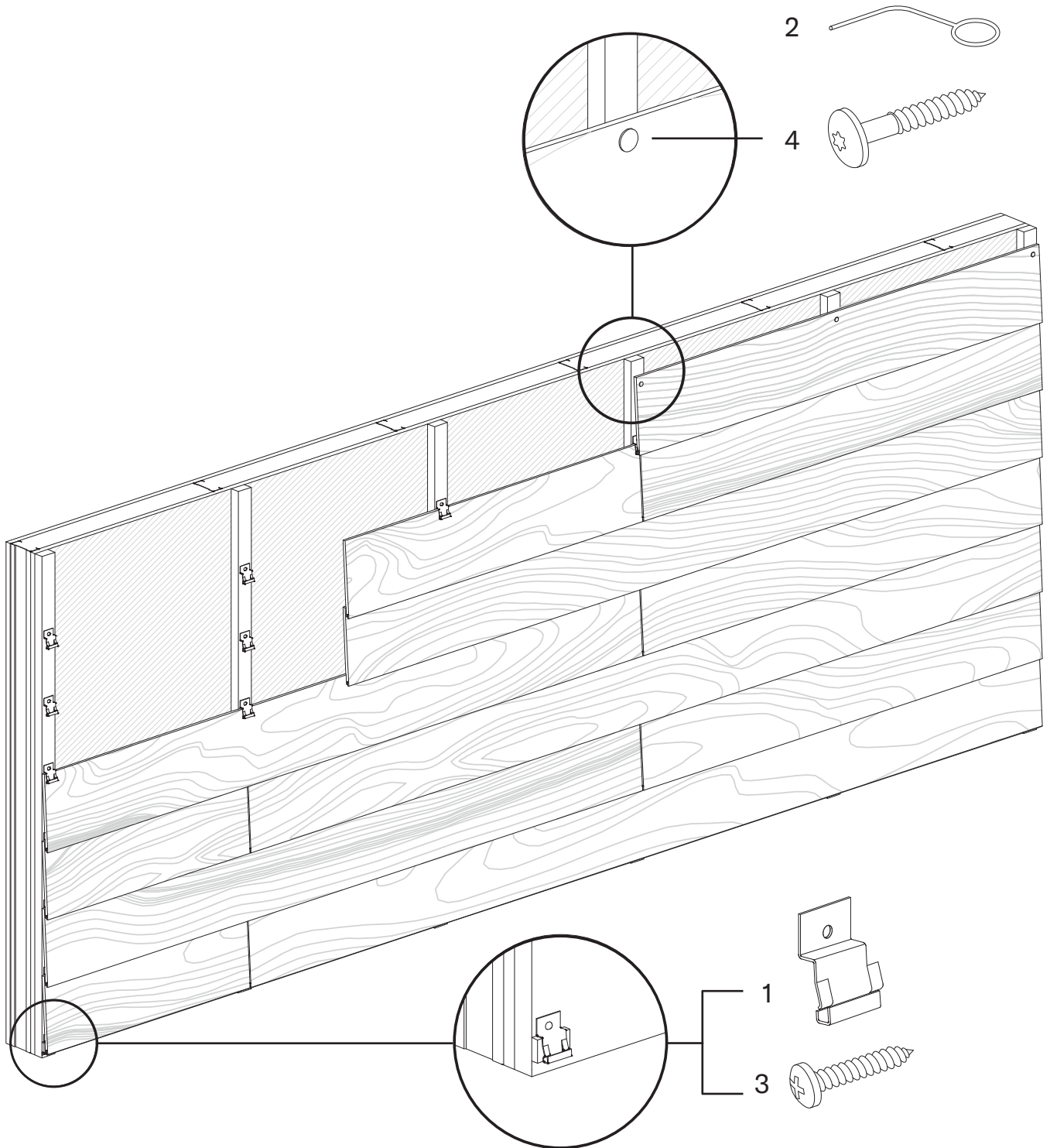
## LAP SIDING JAYS AND HATS

- 1. J channel: 10' Aluminum
- 2. Anchoring Piece
- 3. Gap Gauge Tool
- 4. Metal Screw for Anchoring Piece DIN 7504
- 5. SX3 15-D12-5 TORX Screws for Metal - Painted
- 6. Centering Device for SX3 Screws

Available panel size: 2440mm x 198, 300 mm / 96" x 7,80", 11,81"

Panel thickness: 8mm

# How to install PARKLEX PRODEMA using lap siding system



## LAP SIDING WOOD SUBFRAME

- 1. Anchoring Piece
- 2. Gap Gauge Tool
- 3. Wood Screw for Fixing Clip DIN 7505
- 4. TW-S D12-4 Screws for Wood - Painted

Available panel size: 2440mm x 198, 300 mm / 96" x 7,80", 11,81"

Panel thickness: 8mm

