

**INTERIOR CURVED WALLS
NATURHARDPANEL-W & NATURPANEL-W**

PARKLEX PRODEMA

How to install NATURPANEL-W and NATURHARDPANEL-W panels in curved walls

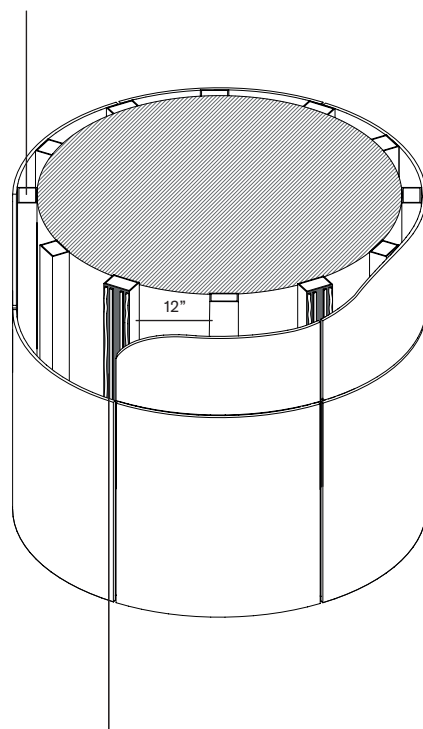
Product	Panel description	Installation system	Thickness	Supporting frame spacing	Radius
NATURPANEL-W	Grooved board bent on site	Tongue and groove	14 mm	24"	r: 28' (8,5 m) or greater
NATURHARDPANEL-W	Flat standard panels bent on site	Adhesive	10 mm	18"	r: 66' (20 m) or greater
			8 mm	15"	r: 33' (10 m) or greater
			6 mm	12"	r: 23' (7 m) or greater
	Flat standard panels bent on site	Exposed fastening	10 mm	18"	r: 66' (20 m) or greater
			8 mm	15"	r: 33' (10 m) or greater
			6 mm	12"	r: 10' (3 m) or greater
	Precurved panels/ convex or concave	Adhesive (exposed fastening will be compulsory if the precurved panel radius does not match exactly the project radius)	6 mm	12"	r: 13' 1" (4m) r: 6' 6" (2m) r: 3' 3" (1m) r: 1' 7" (0,5m) r: 1' (0,33m)
	Precurved corner panels	Adhesive (exposed fastening will be compulsory if the precurved panel radius does not match exactly the project radius)	6 mm		r: 2" (50mm)

When selecting the pre-curved panel curvature radius, the curve of the area to cover must be considered first. The radius of the curve in the area to be covered need not match the standard radii of pre-curved boards available. In these cases, we recommend asking the technical department so they can guide in selecting the radius of the piece.

Subframe

When the panel's curve radius is greater than the surface to be covered, each piece must have an intermediate supporting profile as shown in the image:

Subframe can be either: metal channels or wooden batten



Please follow any adhesive manufacturer instructions: Dow Corning; Sika; Bostik, Soltec.

How to install NATURPANEL-W and NATURHARDPANEL-W panels in curved walls

Precurved panels

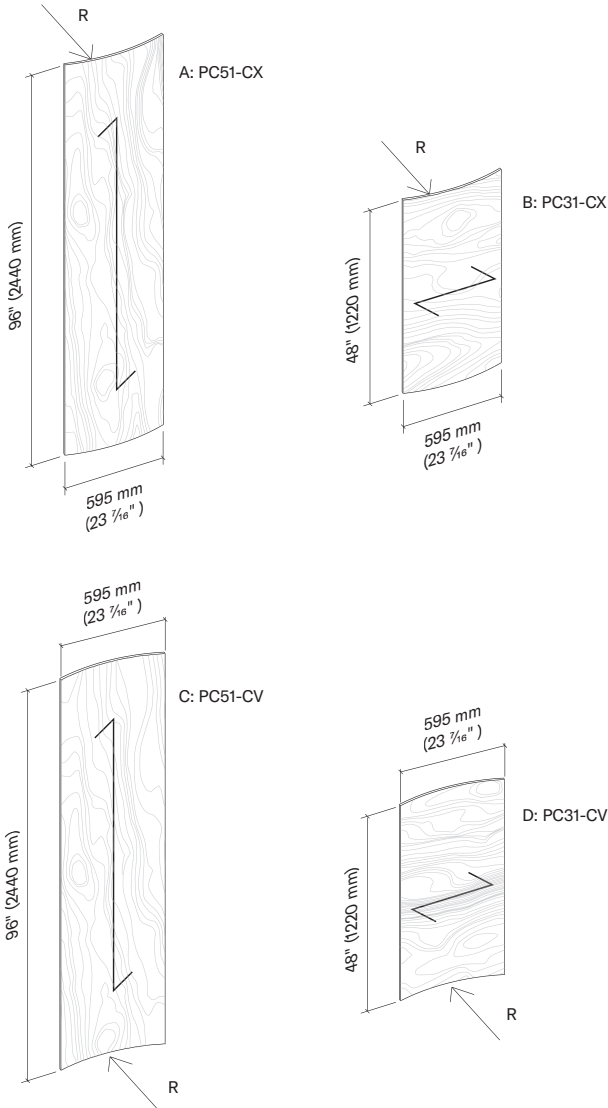
Smaller radii than 3 m (10') can be achieved using pre-curved panels. PARKLEX PRODEMA provides 6 mm (1/4") thick concave and convex pre-curved panels with different radii, depending on project needs.

technical department-, with a distance between profiles of ≤ 300 mm (12"). The selected panel's curvature radius has to be as close as possible to the required radius, but always higher. The available radii of pre-curved panels can later be adapted on site to meet any specific curvature requirements.

To choose the most suitable curvature radius, please contact the PARKLEX PRODEMA technical department.

Precurved corner panels

PARKLEX PRODEMA provides 6 mm-thick (1/4") precurved pieces for concave or convex corners using Exposed System -download it in the webpage or ask for this specific instructions to the technical department- with a 50 mm radius, to suit both vertical and horizontal wood grain directions.

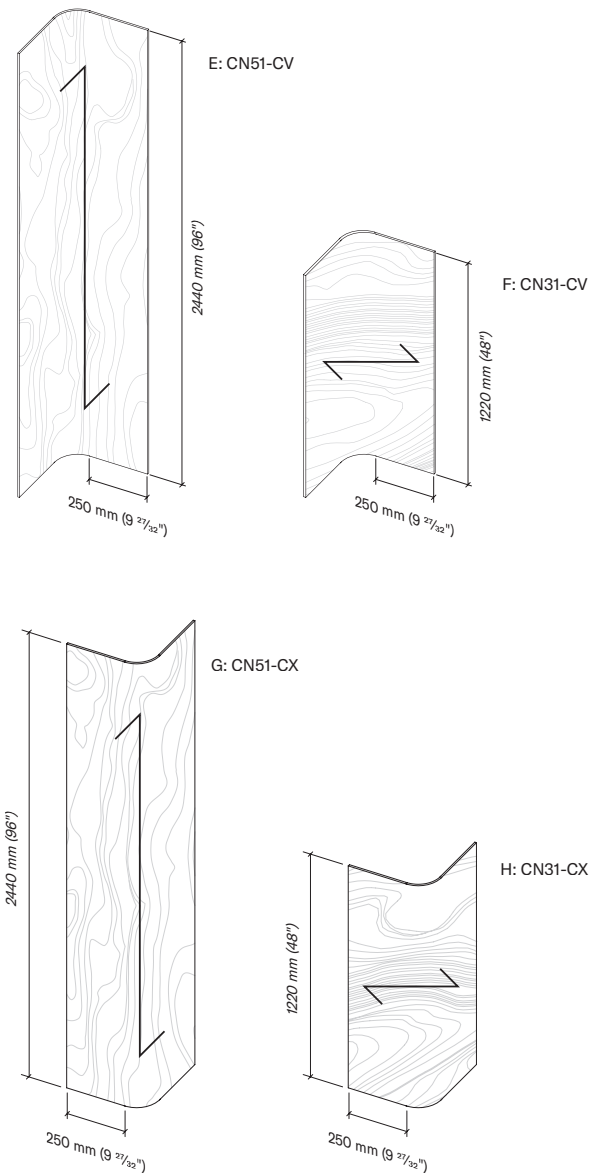


Dimensions vary depending on the direction of the selected grain.

Available radii:

- 0.33 m (1j)
- 0.5 m (1' 7")
- 1 m (3' 3")
- 2 m (6' 6")
- 4 m (13' 1")

Pre-curved panels are only installed using Exposed Fastening with Screws or Rivets -download it in the webpage or ask for this specific instructions to the

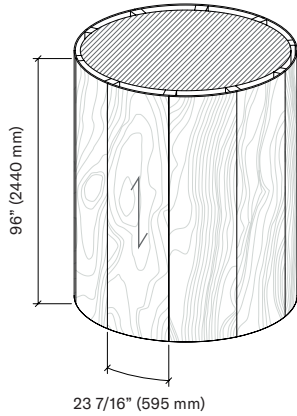


How to install NATURPANEL-W and NATURHARDPANEL-W panels in curved walls

Convex panel installation

Examples of installing curved surfaces with convex pre-curved NATURHARDPANEL-W boards with standard radius:

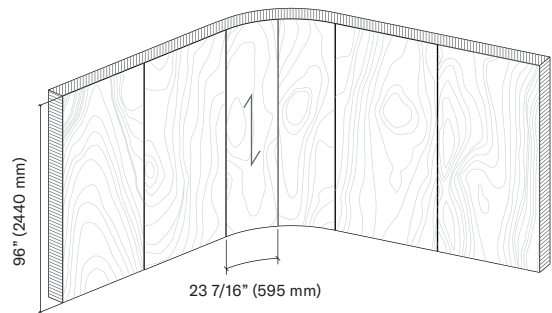
Board with lengthwise grain:



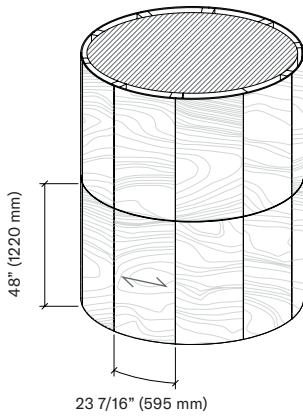
Concave panel installation

Examples of installing curved surfaces with concave pre-curved NATURHARDPANEL-W boards with standard radius:

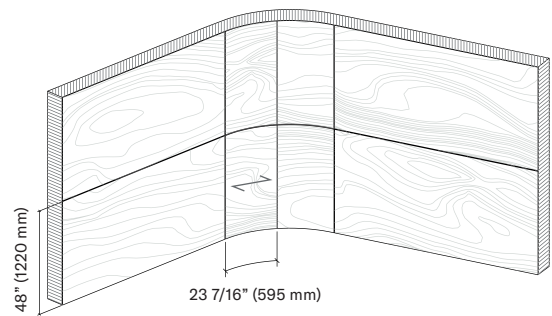
Board with lengthwise grain:



Board with crosswise grain:



Board with crosswise grain:



The sizes of pre-curved pieces were defined to provide continuity in the joints between the precurved board and the flat board, as shown in the image above.